

Technical information

SUPER 1800-3i SPRAYJET



Tracked Paver SUPER 1800-3i SprayJet
Special Class

TECHNICAL HIGHLIGHTS

- > Maximum spray width 19 ft. 8 in. (6 m)
- > Maximum pave width 29 ft. 6 in. (9 m)
- > Maximum laydown rate 770 tons/h (700 tonnes/h)
- > Engine output: 173 hp (129 kW) at 2,000 rpm

SUPER 1800-3i SprayJet - unique and innovative

SUPER 1800-3i SprayJet is ideally suited to paving thin layers on spray seal or for any kind of conventional paving on tack coat. The SprayJet module offers a number of advantages from the technological point of view.

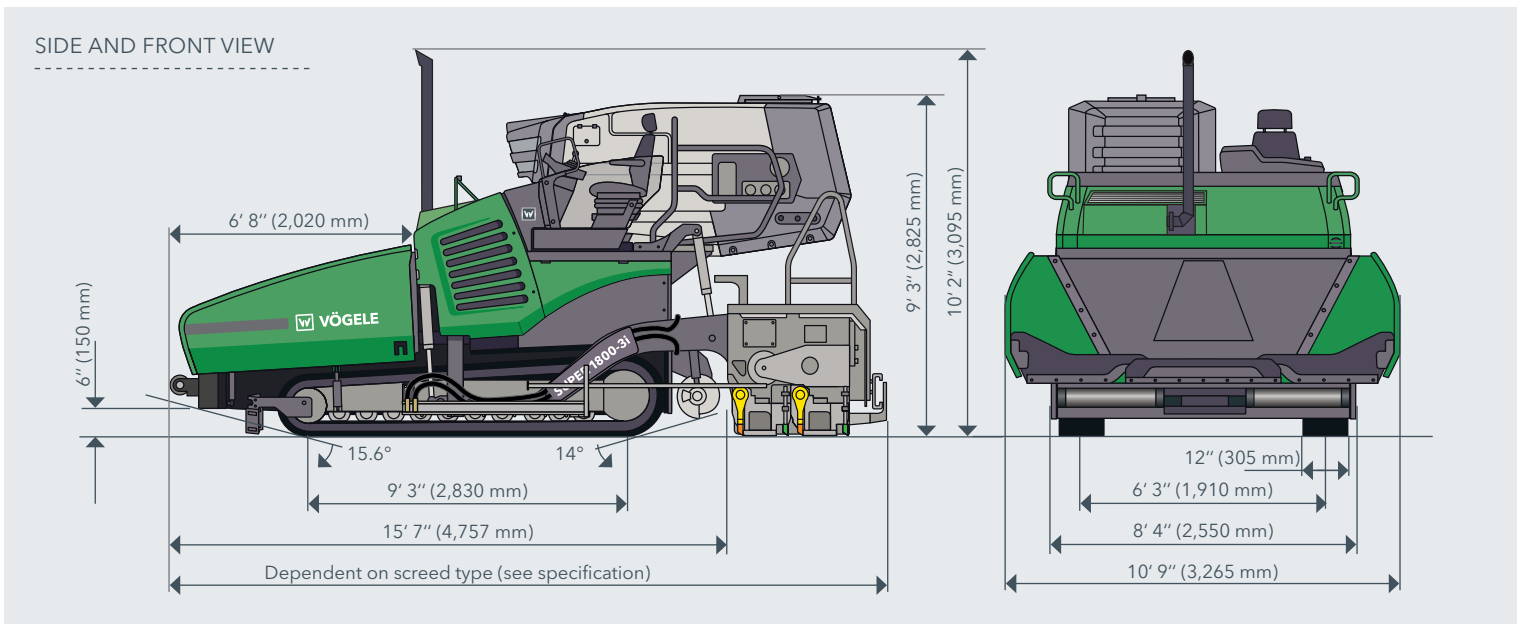
The rate of spread is infinitely variable from 0.06 to 0.33 lbs./sq.ft.* (0.3 to 1.6 kg/m²*), thus allowing to spray even small quantities of emulsion. A low spraying pressure of no more than 43.6 psi (3 bar) reduces spray mist and soiling of adjacent areas to a minimum.



TECHNICAL DATA	SUPER 1800-3i SprayJet
Power unit	
Engine	
> Version	liquid-cooled 6-cylinder diesel engine
> Manufacturer	Cummins
> Type	QSB6.7-C164
Output	
> Nominal	173 hp (129 kW) at 2,000 rpm
> ECO mode	173 hp (129 kW) at 1,700 rpm
Emissions information	
> Exhaust emissions standards	EU Stage V, US EPA Tier 4f
> Exhaust gas after-treatment	DOC, DPf, SCR
Fuel tank	
	79 gallons (US) (300 liters)
Undercarriage	
Crawler tracks	
> Version	provided with rubber pads
> Ground contact	9 ft. 3 in. x 1 ft. (2,830 mm x 305 mm)
> Track tension adjuster	spring assembly
> Lubrication of track rollers	lifetime
Traction dDrive	
	hydraulic, separate drive and electronic control provided for each crawler track
Speeds	
> Paving	up to 79 fpm (24 m/min.), infinitely variable
> Travel	up to 2.8 mph (4.5 km/h), infinitely variable
Material hopper	
Hopper capacity	
	28,660 lbs. (13 tonnes)
Width	
	10 ft. 9 in. (3,265 mm)
Feed height	
	23 in. (590 mm) (centre of material hopper)
Push-rollers	
> Standard	oscillating
Position	can be displaced forwards by 3 in. (75 mm)
Conveyors and augers	
Augers	
	2, with exchangeable auger blades, auger rotation reversible
> Diameter	16 in. (400 mm)
> Drive	separate hydraulic drive provided for each auger
> Speed	up to 84 rpm (33 m/min.), infinitely variable (manual or automatic)
> Height	infinitely variable by 6 in. (15 cm), hydraulic, lowest position 4 in. (10 cm) above the ground

Conveyors and augers			
Conveyors	2, with replaceable feeder bars, conveyor movement reversible for a short time		
> Drive	separate hydraulic drive provided for each conveyor and each auger		
> Speed	up to 84 rpm (33 m/min.), infinitely variable (manual or automatic)		
Lubrication	automatic centralized lubrication system with electrically driven grease pump		
Screed options	AB 500	AB 600	VR 600
Basic width	8 ft. 4 in. to 16 ft. 5 in. (2.55 m to 5 m)	9 ft. 10 in. to 19 ft. 8 in. (3 m to 6 m)	10 ft. to 19 ft. 8 in. (3.05 to 6 m)
Maximum width (TV/TP1)	27 ft. 11 in. (8.5 m)	29 ft. 6 in. (9 m)	19 ft. 8 in. (6 m)
Maximum spray width	19 ft. 8 in. (6 m)	19 ft. 8 in. (6 m)	19 ft. 8 in. (6 m)
Compacting systems	TV, TP1	TV, TP1	
Layer thickness	up to 12 in. (30 cm)		
Screed heating	electric by heating rods		
> Power supply	three-phase AC generator		
SprayJet module			
Emulsion tank	heated electrically, controlled by thermostat		
> Capacity	555 gallons (US) (2,100 liters), with extra tank (option) 1,876 gallons (US) (7,100 liters)		
> Tank shell	insulated against loss of heat		
Spray bars	5 segments		
> Spray width	extending from 8 ft. 4 in. to 19 ft. 8 in. (2.55 m to 6 m)		
> Distance between nozzles	10 in. (250 mm)		
> Spray nozzles	double-slotted		
> Rate of spread	0.06 to 0.33 lbs./sq.ft.* (0.3 kg/m ² to 1.6 kg/m ² *)		
> Spray cone	120°		
> Spray pressure	43.6 psi (3 bar) (max)		
Dimensions (transport) and weight			
Length	tractor unit and screed		
> AB 500/600	TV/TP1: 19 ft. 8 in. (6.04 m)		
Weights	Tractor unit with SprayJet module, no emulsion		
> AB 600 TV	48,500 lbs. (22,810 kg)		

Key: DOC = Diesel Oxidation Catalyst, DPF = Diesel Particulate Filter, SCR = Selective Catalytic Reduction, AB = Extending Screed, TV = with tamper and vibrators, TP1 = with tamper and 1 pressure bar | * The rate of spread per square metre must be determined as a function of the emulsion to be used. The rate of spread depends on the emulsion's consistency and temperature when applied, and on the size of nozzles used for spraying.



THE HIGHLIGHTS OF THE SUPER 1800-3i SPRAYJET

- > World's only spray paver for paving thin overlay as well as conventional surface and binder courses
- > Emulsion sprayed at a rate of 0.06 to 0.33 lbs./sq.ft.* (0.3 kg/m² to 1.6 kg/m²*) in a clean and controlled process
- > The VÖGELE EcoPlus low-emissions package significantly reduces fuel consumption and noise levels
- > Advanced ErgoPlus 3 operating concept for paver and spray module
- > PaveDock Assistant for better and safer communication when feeding the paver with mix
- > ErgoPlus 3 screed console with SmartWheel for convenient screed width control
- > AutoSet Plus automatic functions for rapid relocation of the paver on the job site and storing paving programs
- > Fully integrated Niveltronic Plus System for Automated Grade and Slope Control
- > Advanced and precise screed technology for perfect high-quality pavements

FEATURES

SUPER 1800-3i SprayJet

> Powerful oil-cooled generator	<input checked="" type="checkbox"/>
> VÖGELE EcoPlus low-emissions package	<input checked="" type="checkbox"/>
> Simple, ergonomic ErgoPlus 3 operating concept	<input checked="" type="checkbox"/>
> Windscreen with windscreen wipers	<input type="checkbox"/>
> Ergonomic heated driver's seats	<input type="checkbox"/>
> PaveDock Assistant communication system	<input type="checkbox"/>
> PaveDock sprung push-rollers	<input checked="" type="checkbox"/>
> Hydraulic hopper front	<input checked="" type="checkbox"/>
> Large receiving hopper holding 28,660 lbs. (13 tonnes)	<input checked="" type="checkbox"/>
> Sonic sensor to control augers	<input type="checkbox"/>
> Niveltronic Plus System for Automated Grade and Slope Control	<input type="checkbox"/>
> AutoSet Plus for simple repositioning and saving of paving programs	<input type="checkbox"/>
> LED light balloon for use at night	<input type="checkbox"/>
> WITOS FleetView telematics system	<input checked="" type="checkbox"/>
> Ventilation system	<input type="checkbox"/>
> VÖGELE RoadScan comprehensive asphalt temperature measuring system	<input type="checkbox"/>
> WITOS Paving Docu records paver and paving data	<input type="checkbox"/>
> WITOS Paving Plus process management solution	<input type="checkbox"/>

This list is just an extract of the scope of supply.
Standard features and options may differ by sales region.

Standard feature Option

* The rate of spread per square metre must be determined as a function of the emulsion to be used.
The rate of spread depends on the emulsion's consistency and temperature when applied, and on the size of nozzles used for spraying.

Wirtgen America, Inc.

6030 Dana Way
Antioch, TN 37013
USA

T: +1 615 501-0600
F: +1 615 501-0691
M: info.america@wirtgen-group.com

www.wirtgen-group.com/america

