



CONTRACTOR LINE

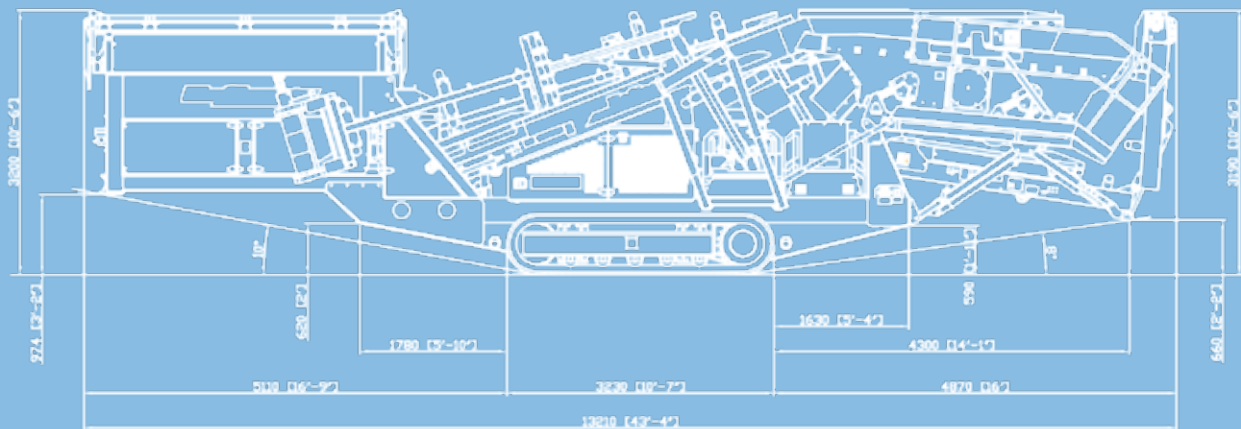
MOBISCREEN MS 14 Z

TECHNICAL SPECIFICATIONS

■ TRACK-MOUNTED SCREENING PLANT



Side view MS 14 Z transport position



TECHNICAL SPECIFICATIONS MS 14 Z

Feeding unit		Belt conveyor screen overflow (lower deck)	
Feed capacity up to approx. (t/h)	250	Width x length (mm)	650 x 7900
Feed size max. (mm)	150 x 150	Discharge height approx. (mm)	4110
Feed height (mm)	3400	Belt conveyor screen overflow (upper deck)	
Hopper capacity (m ³)	6	Width x length (mm)	650 x 7900
Belt conveyor feeder		Discharge height approx. (mm)	4110
Width x length (mm)	900 x 3250	Crawler chassis	
Discharge height approx. (mm)	–	Type	D3
Belt conveyor fines fractions		Diesel-hydraulic drive	
Width x length (mm)	900 x 7860	Engine power (kW)	63
Discharge height approx. (mm)	–	Transport	
Screening unit		Transport height approx. (mm)	3200
Type	double-deck vibration screen	Transport length approx. (mm)	13210
Width x length (mm)	1370 x 3050	Transport width approx. (mm)	2500
Belt conveyor underflow material		Transport weight approx. (kg)	19500
Width x length (mm)	1050 x 4900		
Discharge height approx. (mm)	3790		