



CONTRACTOR LINE

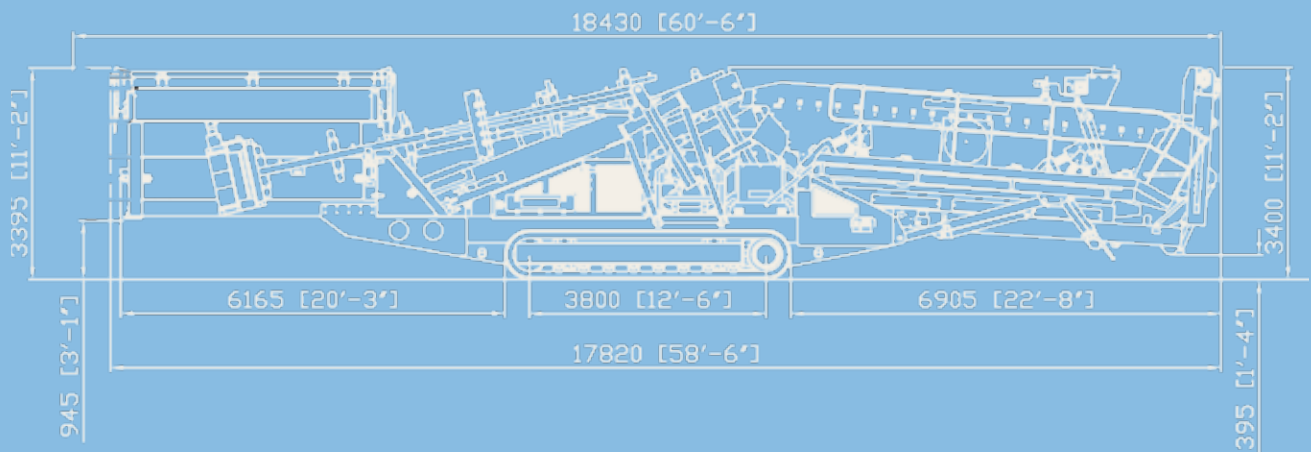
MOBISCREEN MS 19 Z

TECHNICAL SPECIFICATIONS

■ TRACK-MOUNTED SCREENING PLANT



Side view MS 19 Z transport position



TECHNICAL SPECIFICATIONS MS 19 Z

Feeding unit		Belt conveyor medium fractions (lower deck)	
Feed capacity up to approx. (t/h)	500	Width x length (mm)	800 x 10300
Feed size max. (mm)	150 x 150	Discharge height approx. (mm)	5100
Feed height (mm)	3635	Belt conveyor oversize fractions (upper deck)	
Hopper capacity (m ³)	8	Width x length (mm)	800 x 10300
Belt conveyor feeder		Discharge height approx. (mm)	5100
Width x length (mm)	1200 x 3500	Crawler chassis	
Discharge height approx. (mm)	–	Type	D4
Feeding belt conveyor screen		Diesel-hydraulic drive	
Width x length (mm)	1050 x 11800	Engine power (kW)	93
Discharge height approx. (mm)	–	Transport	
Screening unit		Transport height approx. (mm)	3400
Type	double-deck vibration screen	Transport length approx. (mm)	17820
Width x length (mm)	1520 x 6100	Transport width approx. (mm)	3000
Belt conveyor fine fractions		Transport weight approx. (kg)	36000
Width x length (mm)	1200 x 8000		
Discharge height approx. (mm)	4600		