

The Benchmark for Perfect Concrete Paving in the 9 m Class

SLIPFORM PAVER SP 94(i)



THE BENCHMARK FOR PERFECT CONCRETE PAVING IN THE 9 M CLASS



The cost-effective 4-track slipform paver stands out for its enormous variety of applications in large-scale road and airport construction from 2.0 m to 9.5 m wide and 450 mm thick (cannot be combined with all options).

The machine concept makes it possible to produce exceptionally flat surfaces.

The fully modular machine design, simple conversion and expansion options, and hydraulic swing arms make the machine highly adaptable to any job site situation.

The intelligent electronic steering and control concept ensures that the four crawler units move with pinpoint accuracy for high-precision concrete paving.

Precise insertion of tie bars and dowels via a self-loading dowel bar inserter (optional) makes it possible to pave concrete that requires reinforcing steel.

WIRTGEN SLIPFORM PAVERS

OFFSET SLIPFORM PAVERS

- > Offset paving width up to 4.0 m¹⁾
- > Offset paving height up to 3.0 m¹⁾

PLACER / SPREADERS

- > Inset paving width up to 12.0 m¹⁾
- > Inset layer thickness up to 500 mm¹⁾

INSET SLIPFORM PAVERS

- > Inset paving width up to 16.0 m¹⁾
- > Inset paving height up to 450 mm¹⁾

TEXTURE CURING MACHINES

- > Working width up to 18.0 m
- > Working height up to 500 mm

¹⁾ Special paving widths, paving thicknesses, paving heights, and other options available on request

OVERVIEW OF HIGHLIGHTS

Perfectly Equipped

MACHINE CONCEPT

01 Rugged Machine Design

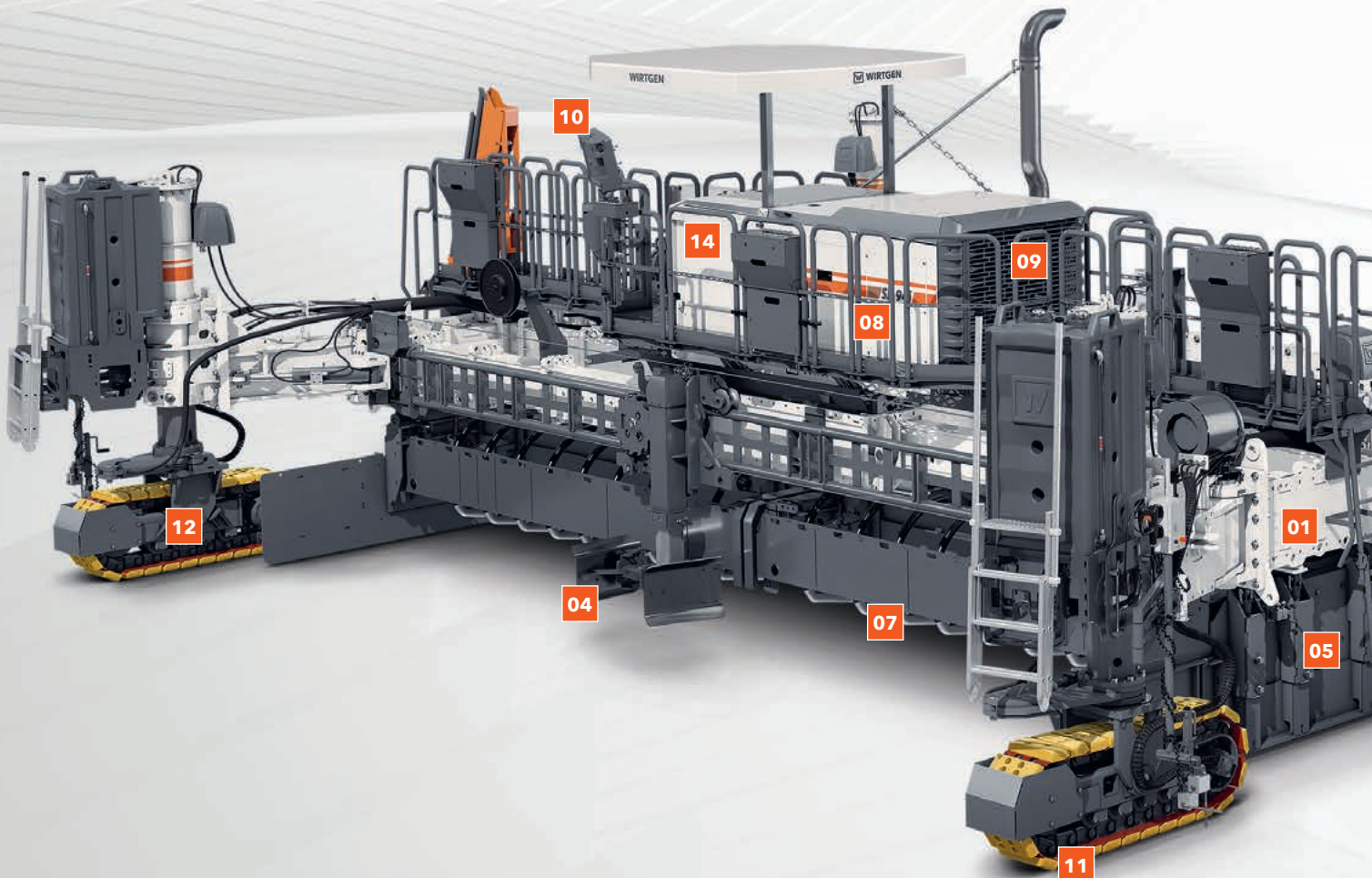
The machine's rugged design guarantees consistent, high-output concrete paving and precise paving results, even under difficult site conditions.

02 Fully Modular Machine Design

The machine's fully modular design means its possible to flexibly modify, upgrade with new options, and adapt the machine to the specific job site situation.

03 Sophisticated Transport Concept

Compact dimensions and minimal time and effort needed to prepare the machine make loading easy and transport cost-effective. Depending on the configuration, the dowel bar inserter or oscillating beam, super smoother, and concrete spreader can remain mounted to the machine during transport.



CONCRETE PAVING EQUIPMENT

04 Highly Flexible Concrete Paving

The standard version of the slipform paver is capable of paving perfect and precise concrete surfaces from 3.5 m to 9.5 m wide and up to 450 mm thick.

05 Tried-And-Tested Paving Mold

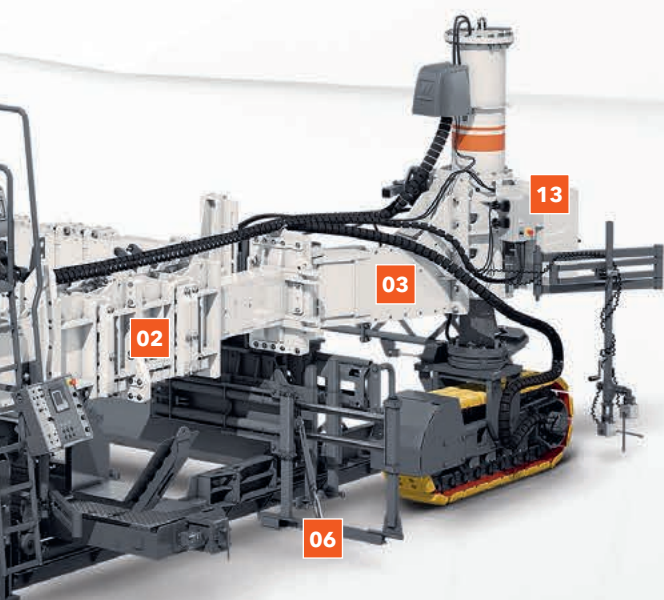
Compatible with the 910 m or 910 wm series of metric in-set paving molds. The 910 wm series comes standard with a wear sole and can be equipped with an optional crown profile.

06 Reinforcement Insertion Built into the Machine

A self-loading dowel bar inserter, tie bar inserter(s), and side tie bar inserter(s) are available on request.

07 Alternative Compaction Technology

Depending on site requirements, the machine can be equipped with a hydraulic or electric vibrator drive. The machines comes standard with 12 hydraulic connections (optional: 18 or 24), with 12, 20, or 28 electrical connections optional.



ENGINE TECHNOLOGY AND OPERATION

08 Cost-Effective Engine Management

The "ECO mode" setting automatically adjusts engine power to the current performance requirements to ensure fuel-efficient diesel consumption and low noise emissions.

09 State-Of-The-Art Engine Technology

The SP 94 features cutting-edge, high-performance engine technology (224 kW / 300 HP / 304 PS) that meets EU Stage IIIa / US EPA Tier 3 emissions standards. The SP 94i features cutting-edge, high-performance engine technology (231 kW / 310 HP / 314 PS) that meets EU Stage 5 / US EPA Tier 4f emissions standards.

10 Perfect Ergonomics and Handling

The ergonomically designed operator's platform, the standardized, intuitive operating concept for all SP series' models, and exceptional visibility makes the job easier for the operator.

CONTROL AND STEERING

11 High-Precision Steering and Drive Systems

Intelligent steering and control systems for extremely smooth operation – even around tight curves – make high-precision concrete paving possible.

12 Productivity-Enhancing Steering

Numerous optional and standard steering features, like hydraulic swivel arms and the innovative worm gear steering, significantly increase site productivity.

13 Machine Control Systems Featuring Advanced Intelligence

WIRTGEN's efficient WITOS FleetView telematics system supports fleet management, position and status monitoring, as well as maintenance and diagnostic processes.

14 Field-Proven 3D Interface

The field-proven interface guarantees tested compatibility with leading suppliers' 3D control systems.

MACHINE CONCEPT

Precise and Efficient Concrete Paving

Extremely rugged machine construction

Fully Modular

Wide range of applications



01 Easy Upgrading

Standard interfaces allow the machine to be upgrading with individual options at any time.

02 Telescoping Machine Frame

The machine frame, which can be extended both lengthwise and sideways, allows the operator to adapt the machine to the requirements of the job site.

03 Fully Modular Machine Design

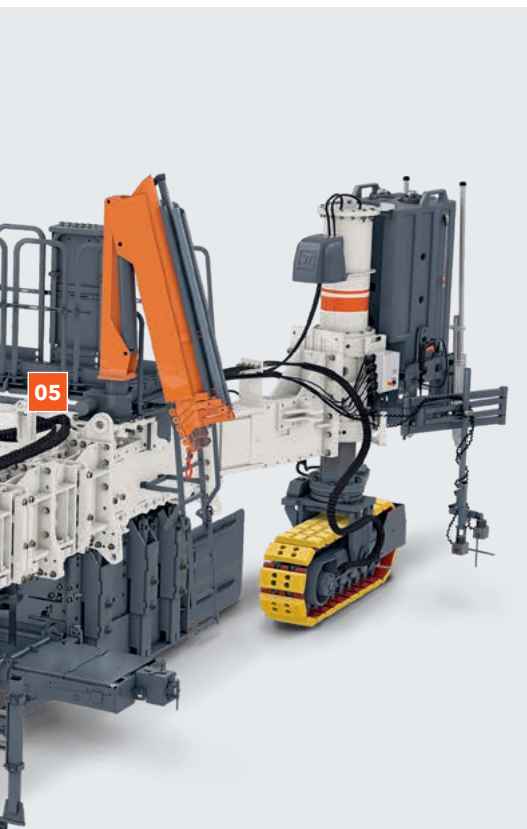
The machine's fully modular design helps solve a wide variety of inset paving challenges.

04 Slewing Crawler Units

Crawler units with a wide slewing angle guarantee maximum flexibility on the job site.

05 Simple Conversion

Easily convert and expand the machine with additional components to solve complex, customer-specific applications.



Rugged Design

The extremely rugged design of the machine frame, track units, and swivel arms makes high-precision paving results at maximum daily production rates possible.

Heavy Machine Weight

The heavy weight of the machine optimizes concrete paving, especially at larger paving widths.

Rapid Conversion During Transport

The minimal effort required to convert the machine during transport reduces operating costs.

Easy Transport

Maneuverability and compact machine dimensions make transport as easy as possible.

Customizable Machine Technology

The ability to reliably adapt the machine technology to the respective job site situation increases both its range of applications and productivity.



Rugged machine design for high-output, precise concrete paving.

CONCRETE UNIT

Hydraulic Vibrators

The machine comes standard with 12 hydraulic connections to power the hydraulic vibrators (18 or 24 optionally available).

Electric Vibrators

The machine can be equipped with either 12, 20 or 28 electrical connections to power the electric vibrators.

Separate Side Tie Bar Inserters

Side tie bars are inserted in order to pave adjacent road surfaces.

Automatic Longitudinal Tie Bar Inserter

Longitudinal tie bars are inserted automatically to prevent the slabs from drifting apart at the longitudinal joints.

Control Unit for Longitudinal Tie Bar Inserter

A separate control unit for each longitudinal tie bar inserter makes adjustments at the job site easy.

01 Spreader Plow or Auger

A spreader plow or spreading auger ensures that the concrete deposited in front of the mold is spread evenly.

02 Metric Paving Mold

The 910 m or 910 wm series' metric inset paving molds with wear soles guarantee professional concrete paving with stiff concrete consistency.

03 Concrete Surfacing with Crown Profile

A concrete surface can be easily produced with a crown profile of 3%.

04 Oscillating Beam

The eccentric-powered, heavy-duty oscillating beam with automatic lifting function when the machine stops removes any irregularities in the concrete surface.

05 Super Smoother

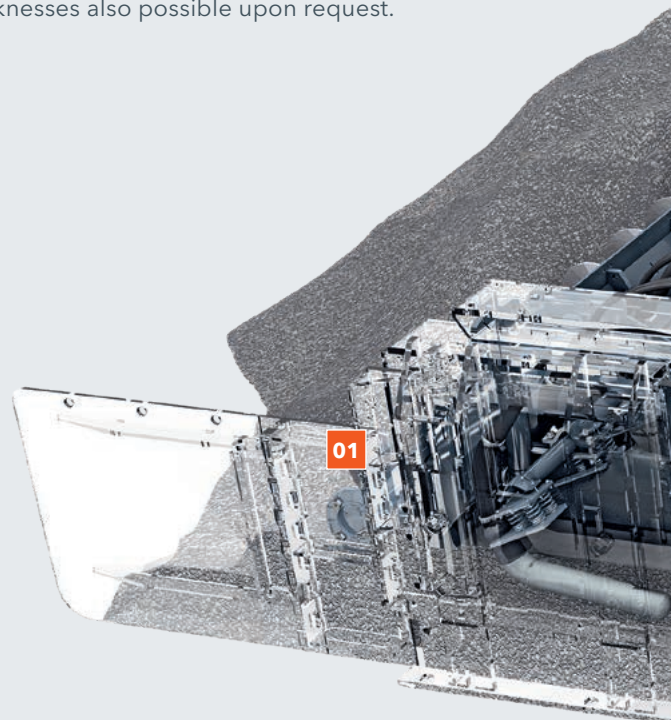
The oscillating super smoother made of high-quality material ensures perfect surface quality.

06 Concrete Surfaces 3.5 m to 9.5 m wide

Precise, high-quality paving of road surfaces and areas from 3.5 m to 9.5 m wide.

07 Paving Thickness of up to 450 mm

Standard paving up to 450 mm thick - greater paving thicknesses also possible upon request.

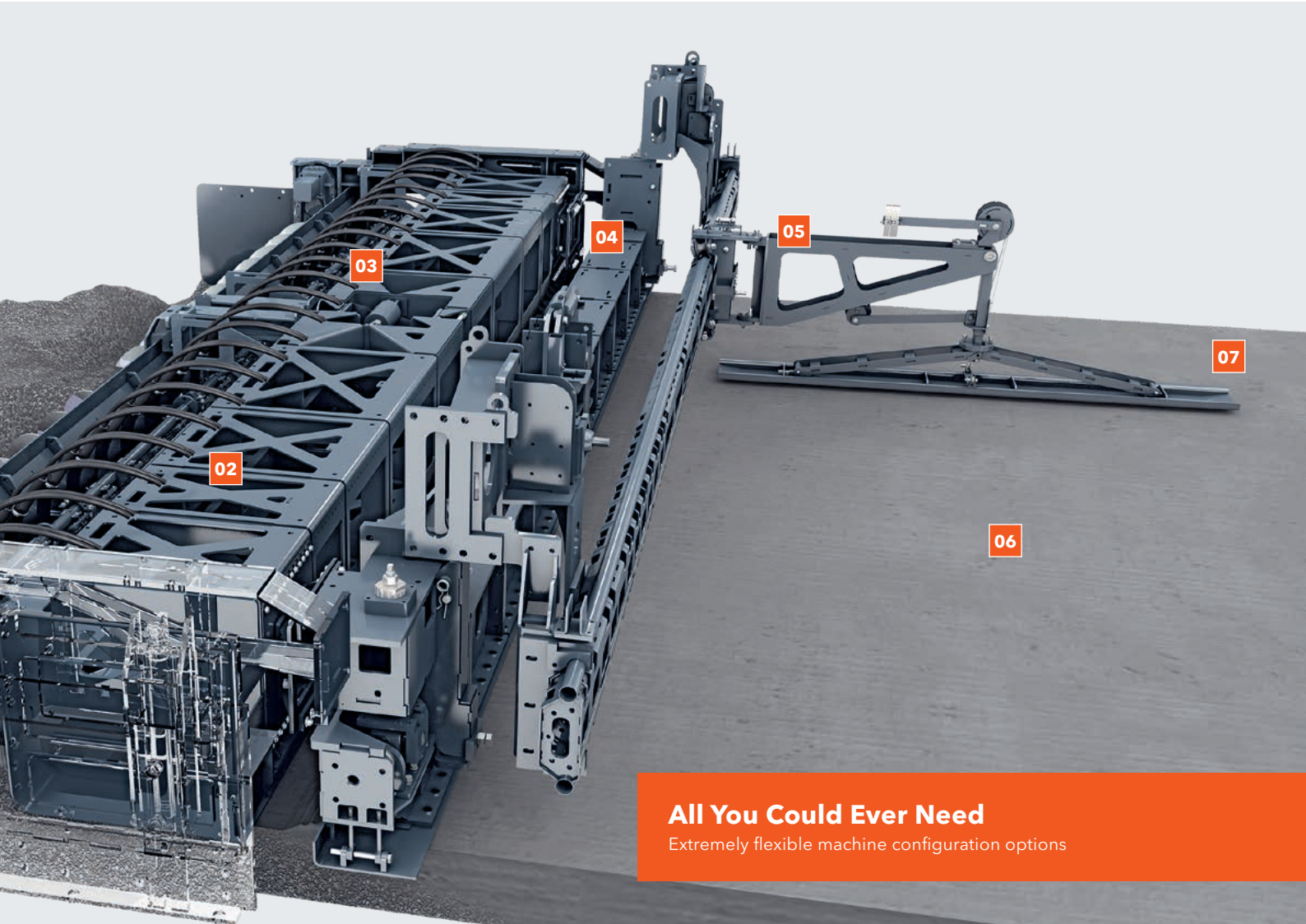




Separate side tie bar inserter.



Longitudinal tie bar inserter with control unit.



All You Could Ever Need
Extremely flexible machine configuration options

CONCRETE UNIT

01 Effective Dowel Bar Inserter

The inserted dowels secure the height of adjacent slabs and transfer shear forces from slab to slab.

02 Automated Dowel Bar Insertion Process

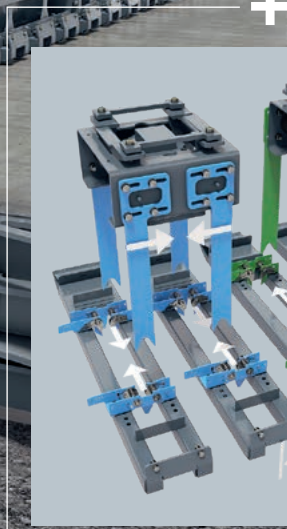
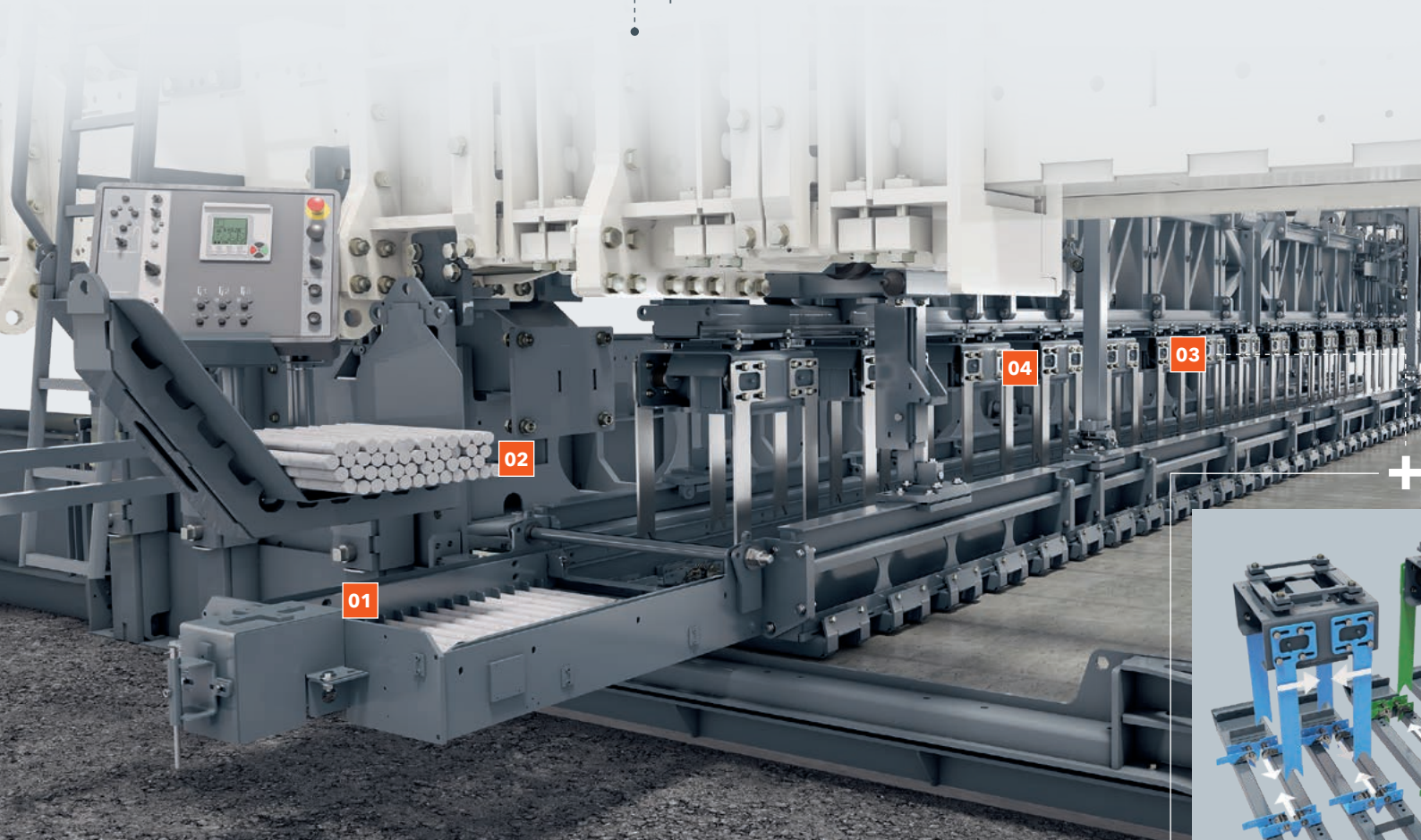
After manually loading the dowel distribution trolley, dowels are distributed automatically at the touch of a button and the dowel insertion process is fully automatic.

03 Minimum Effort with Varying Dowel-Bar Plan

The dowel bar inserter's modular design makes it easy to modify the dowel-bar plan (number, spacing, length, diameter of dowels) and requires very little effort to reconfigure the machine.

04 Optimized Dowel Bar Insertion Process

The combination of hydraulic cylinders with a built-in position measuring system and proportional valves optimizes the dowel bar insertion process and the accurate positioning of the dowel bars in the already consolidated concrete. Paving concrete with support cages simplifies site logistics and thus considerably reduces material and process costs.



Easy Transportation

Self-loading dowel bar inserter

Versatile and Reliable

Perfect dowel-bar insertion

Built-In Position Measuring System for Distance Measurement

Sensors built into the crawler units accurately determine the distance traveled and special software determines the distance between the next row of dowels or the next tie bar in the concrete.

Optimally Integrated Control

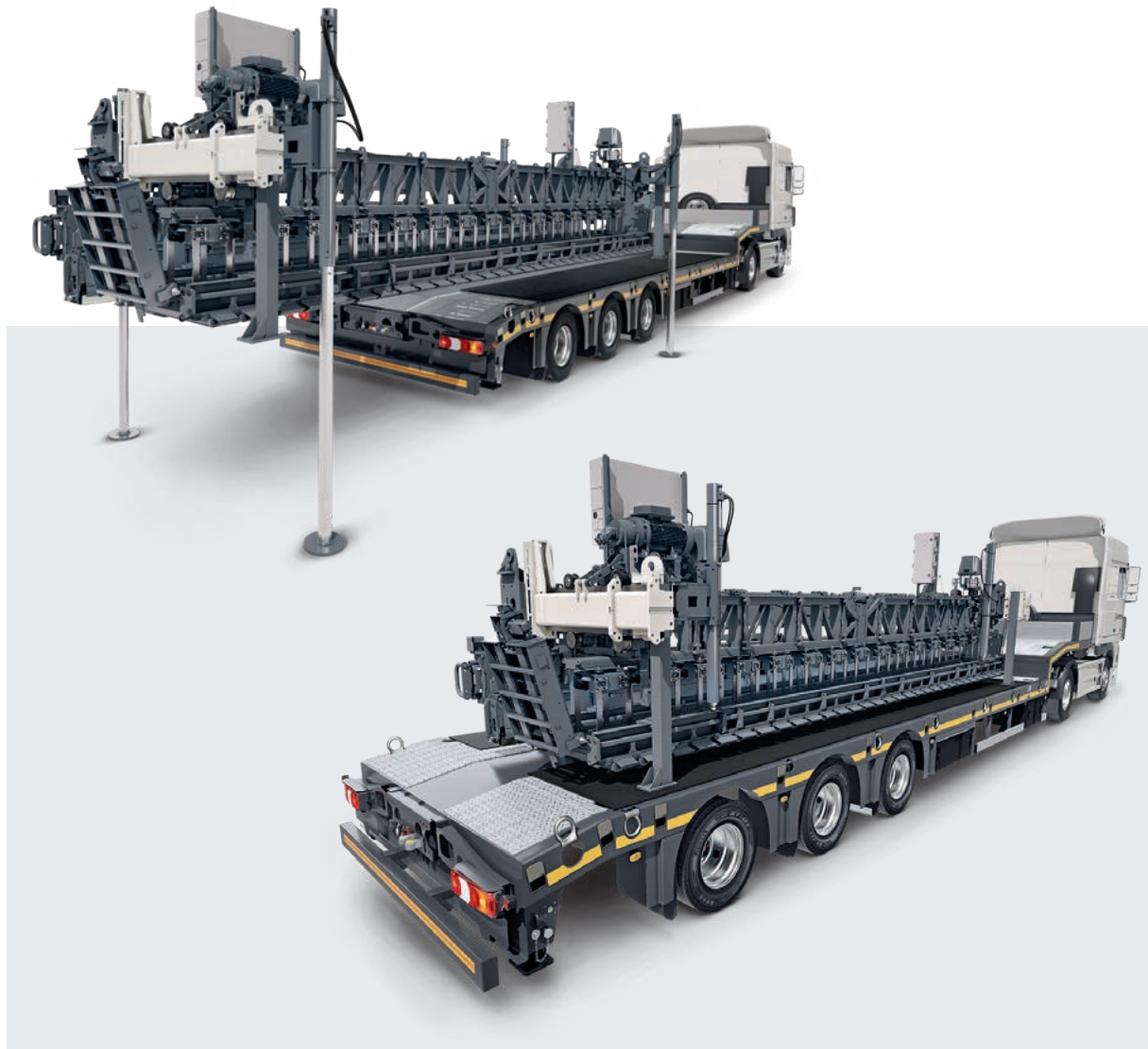
The dowel bar inserter's control system is fully integrated into the slipform paver's flexibly expandable CAN bus system.

Separate Control Panel for Inserters

The control panel with innovative software and a standardized operating concept for all SP series is fully integrated into the machine control system. It can be moved to any position and makes it easy to enter the dowel-bar plan and the dowel bar and tie bar inserters' insertion parameters.

Self-Loading Dowel Bar Inserter

The innovative self-loading technology makes it easy to transport the machine and quickly set it up on site without the need for expensive loading cranes. The heavy-duty hydraulic cylinders remain mounted on the dowel bar inserter both during transport and when in operation.



Self-loading dowel bar inserter.

ENGINE TECHNOLOGY AND OPERATION



Stress-Free Workplace

Ergonomically designed operator's platform

Quiet and Economical

Efficient ECO mode

01 Ergonomics

The ergonomically designed operator's platform increases the operator's performance and thus the productivity of the entire machine.

02 State-Of-The-Art Control Panel

Its control panel with easily understood language-neutral symbols promotes productivity.

03 Standardized Operating Concept

The standardized, self-explanatory operating concept used on all the different SP series' models offers additional synergy effects.

04 Performance-Optimized and Operator-Friendly ECO Mode Engine Management

Automatically adapting engine output according to performance requirements guarantees optimum engine efficiency, economical diesel consumption, and low noise emissions. The ECO mode detects every working situation without any operator intervention.



Ergonomically optimized, clearly organized control panel.

Engine Technology for EU Stage 3a / US EPA Tier 3

The SP 94's powerful diesel engine meets EU Stage IIIa / US EPA Tier 3 emissions standards.

Engine Technology for EU Stage 5 / US EPA Tier 4f

The SP 94 i's powerful diesel engine meets the stringent requirements of the EU Stage 5 / US EPA Tier 4f emissions standards.

Powerful Engine

The powerful engine guarantees effective concrete paving in the optimum power and torque range at all times.

Perfect Visibility

The spacious operator's platform provides a perfect view of the paving process.

Telescoping Weather Canopy

The weather canopy can be extended electro-hydraulically, even when the engine is switched off, allowing the operator to work in all weather conditions.

Fast Maintenance

Easy access to the maintenance and inspection points minimizes maintenance requirements.

CONTROL AND STEERING

High-Quality Machine Control System

The high-quality machine control system using proprietary software increases both operating safety and the slipform paver's range of applications.

Service Diagnostics System

WIDIAG, the service diagnosis system with a standardized interface, allows technicians to quickly troubleshoot errors directly on site.

Extensible CAN-Bus System

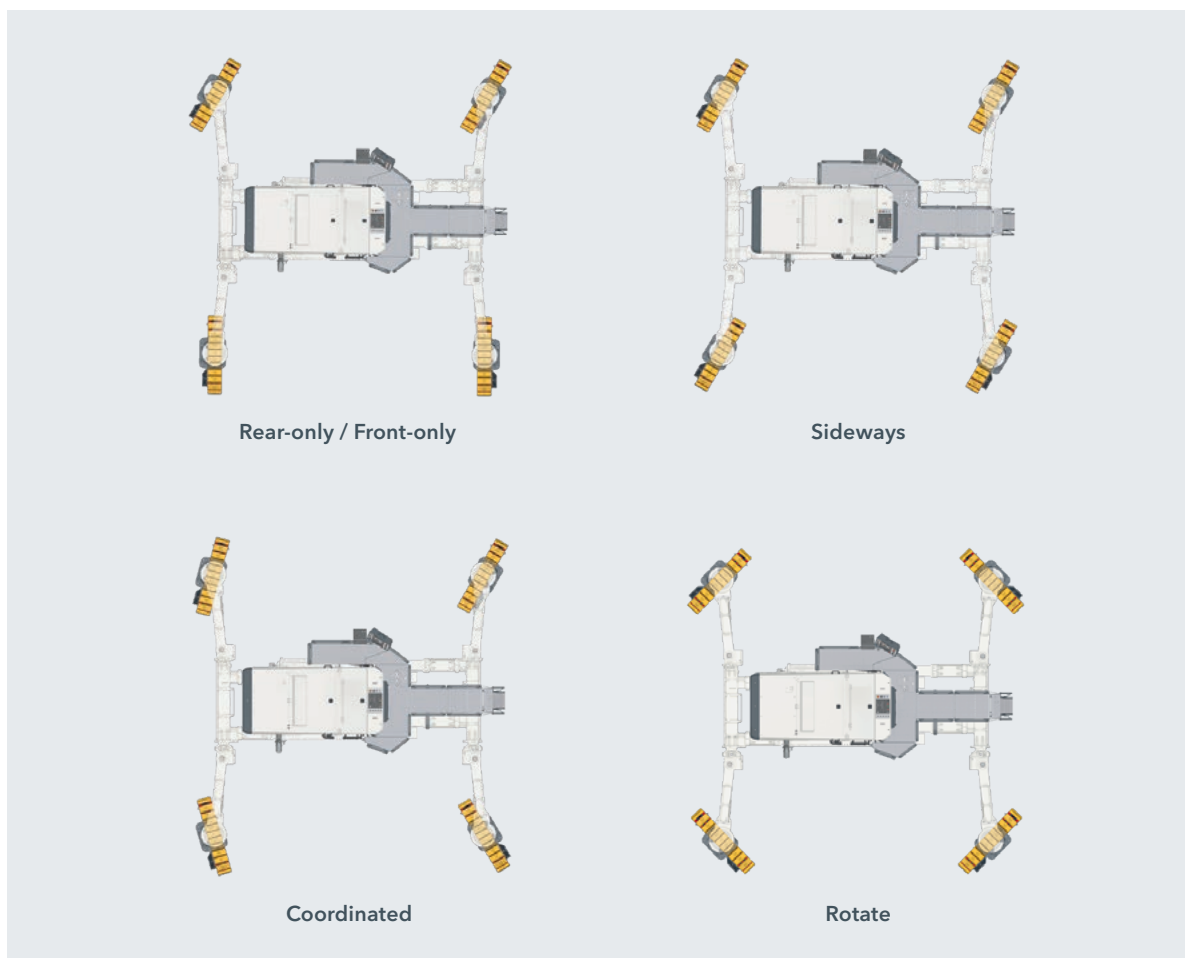
The standard CAN bus system can be easily expanded to meet specific customer requirements.

Efficient WITOS Telematics System

WIRTGEN's WITOS FleetView telematics system supports fleet management, position and status monitoring, as well as maintenance and diagnostic processes.

Standardized, Optional Interface for 3D Controls

The built-in standard interface perfectly meets the requirements for concrete paving using state-of-the-art 3D systems. Thorough acceptance procedures to ensure compatibility with 3D control systems from leading suppliers guarantee a high degree of operational reliability.



Different steering modes available on the SP 94(i).

Outstanding Reliability

Software developed in-house

Exact Paving around Corners

Automatic speed variation for all four track units

01 High-Precision Drive Control

The high-precision control of the advance motors guarantees jerk-free travel, even at minimum speed.

02 Steering Angle Sensor Adjustment

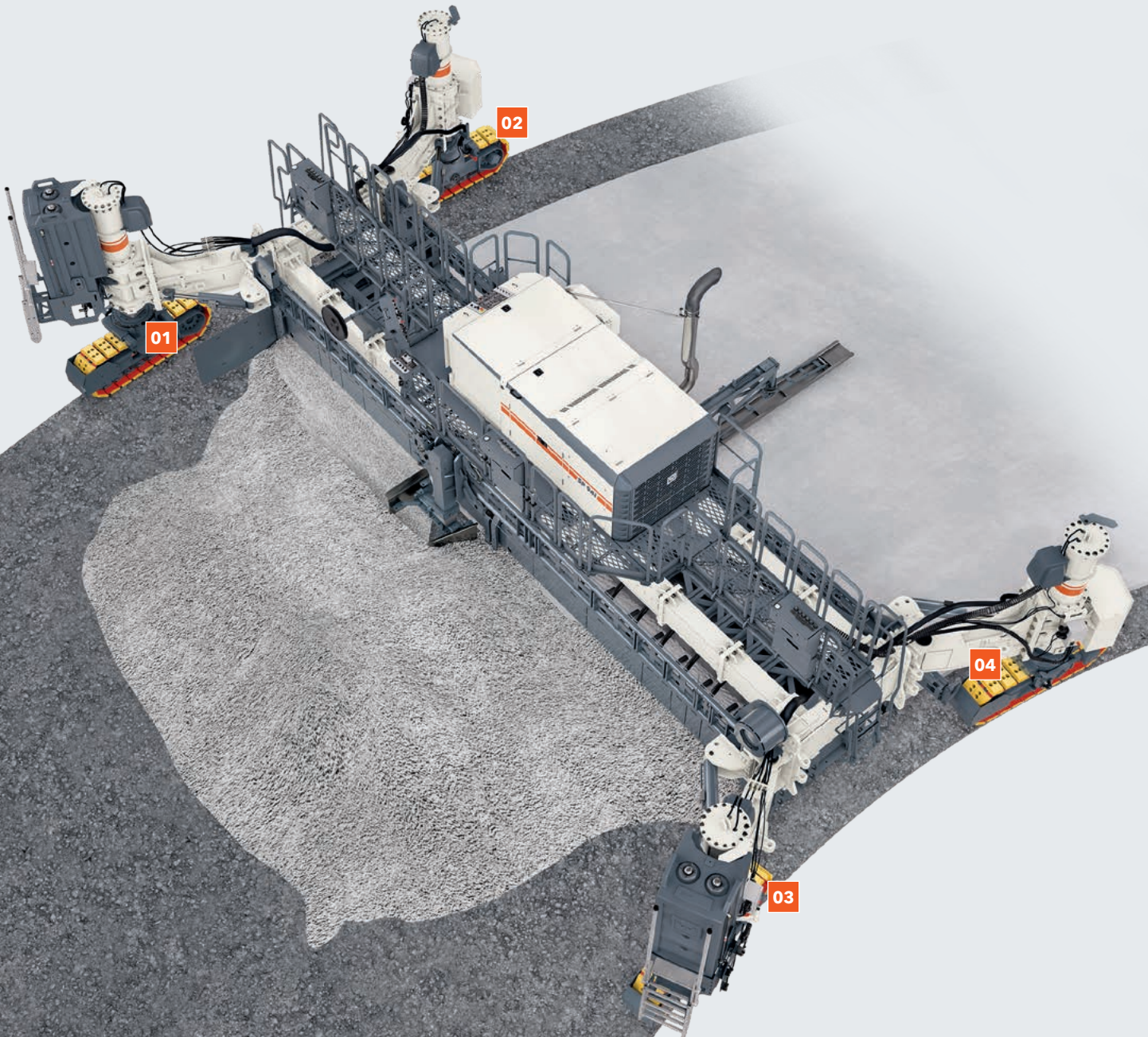
On the SP 94(i), the steering angle positions of the four track units are adjusted fully automatically to optimize driving performance and thus precise concrete paving.

03 Four Steering Modes

Four different steering modes make turning and maneuvering easy.

04 Speed Adjustment

The computer-assisted speed adjustment of each individual track unit enables specifications to be adhered to with pinpoint precision, even when paving around curves.



CONTROL AND STEERING

The Ace-in-the Hole in Tight Spaces

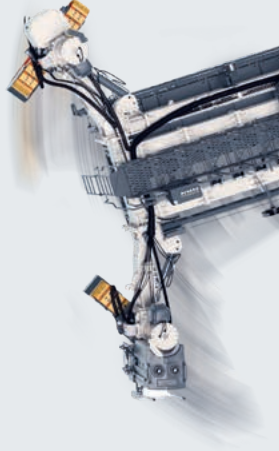
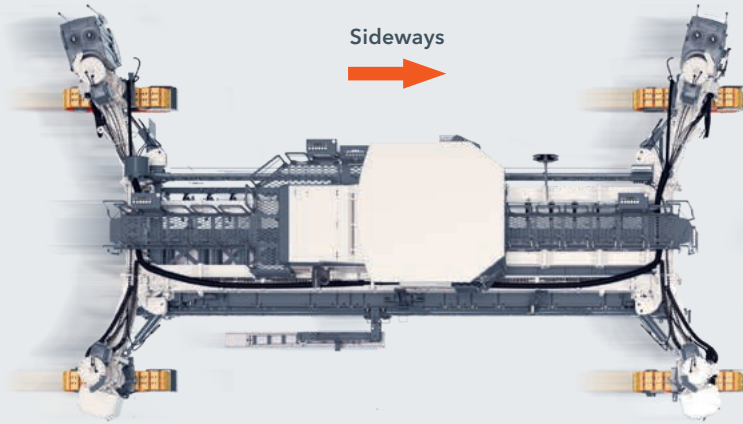
Enormously large steering angle

Fast Turning

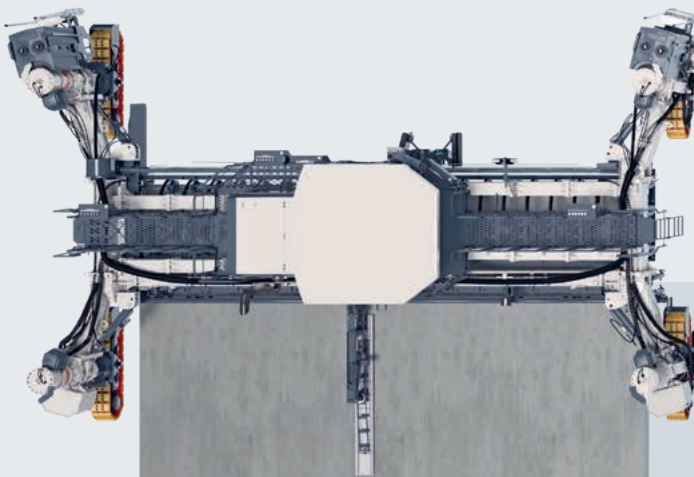
Turns on the spot

Obstacle

Sideways

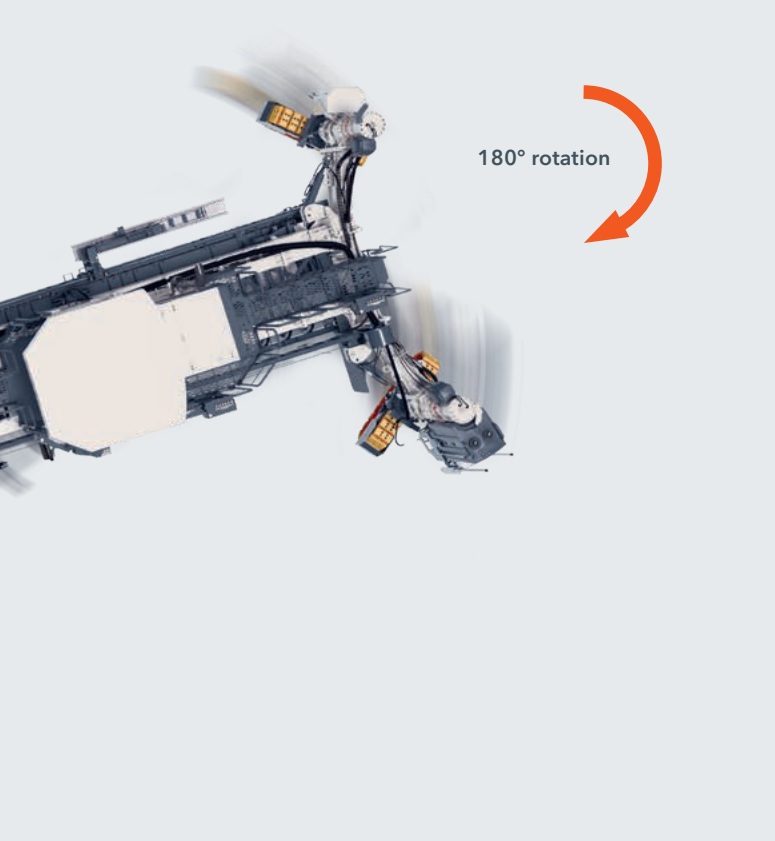


End of paving lane 1

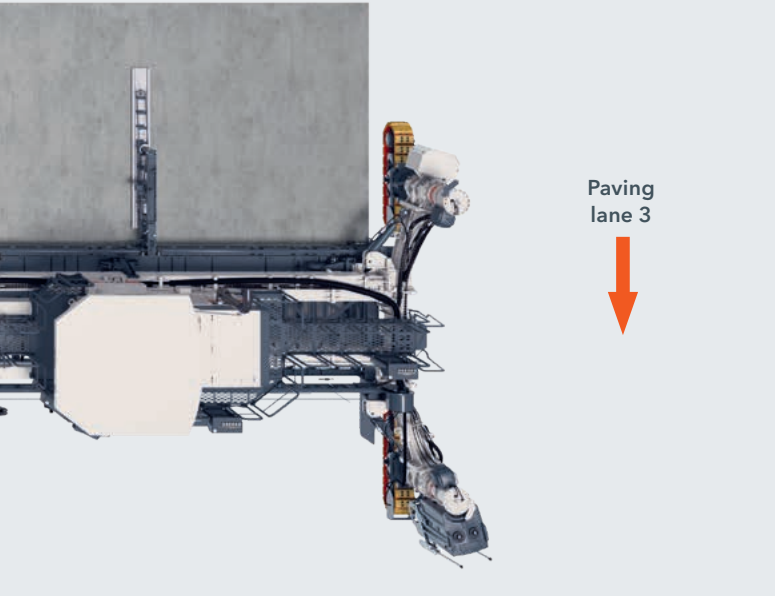


Lane 2





180° rotation



Paving lane 3

Innovative Worm Gear Steering

The crawler units' steering angles of up to 100° to the left and 160° to the right increase flexibility, such as the ability to easily approach obstacles, particularly on tight job sites.

Crab Mode with Track Units at a Steering Angle of 90° to the Side

Worm gear steering allows the machine move sideways with the crawler units rotated by 90°. At the same time, this reduces time-consuming manual paving at the end of the lane, which is often necessary on cramped sites, to a minimum.

Rotating Around its Own Axis

Rotating the machine around its own axis by means of widely slewable crawler units eliminates the need for time-consuming turning maneuvers in confined construction site conditions.

Paving Plus Package

The additional sensors that can be integrated into the swivel arms optimize machine control.

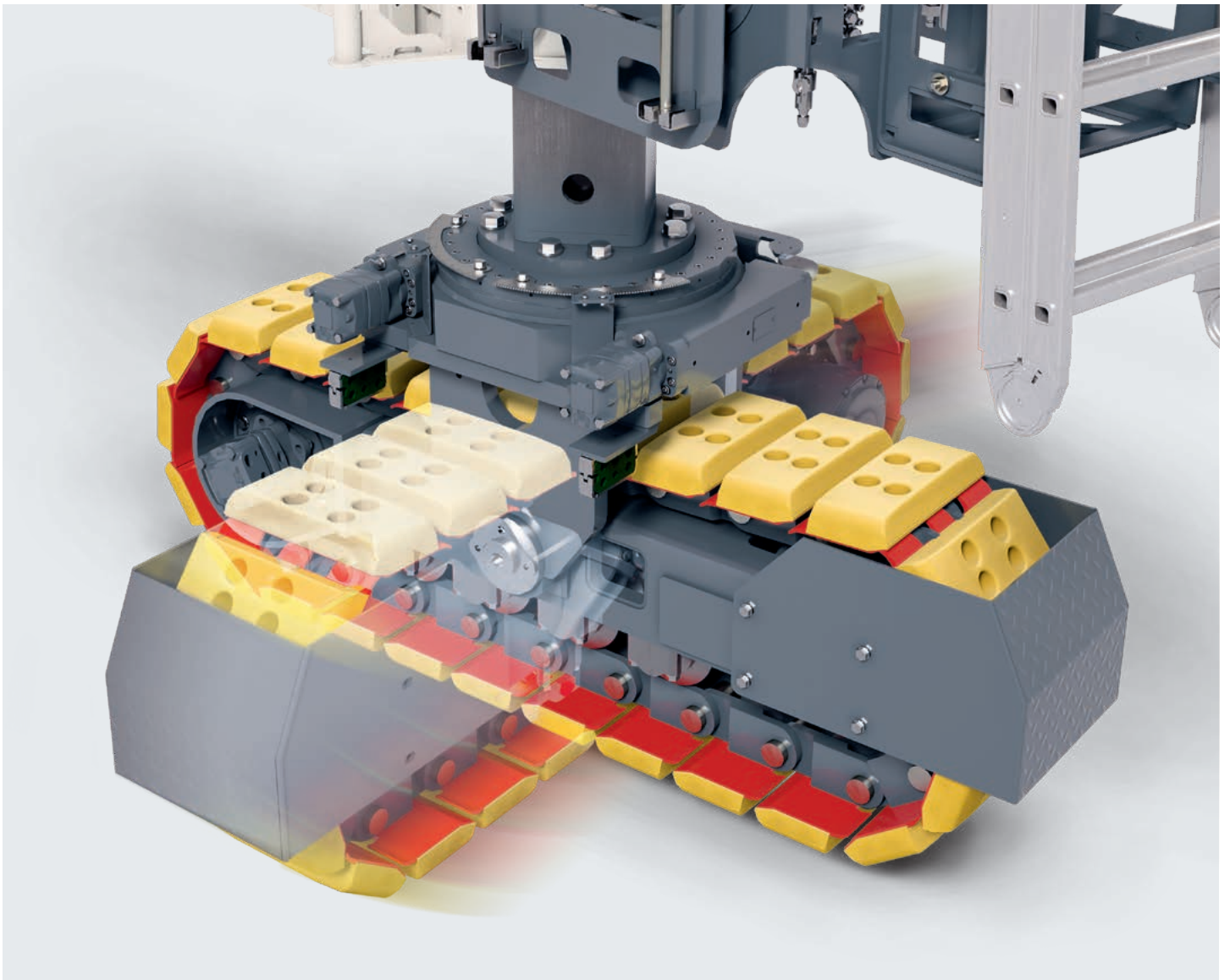
CONTROL AND STEERING

Hydraulically Adjustable Swivel Arms for Easy Transport

The ability to quickly switch all four swivel arms from the transport to the operating position and vice versa within just a few minutes greatly simplifies machine transport.

Hydraulically Adjustable Swivel Arms for Increased Ergonomics

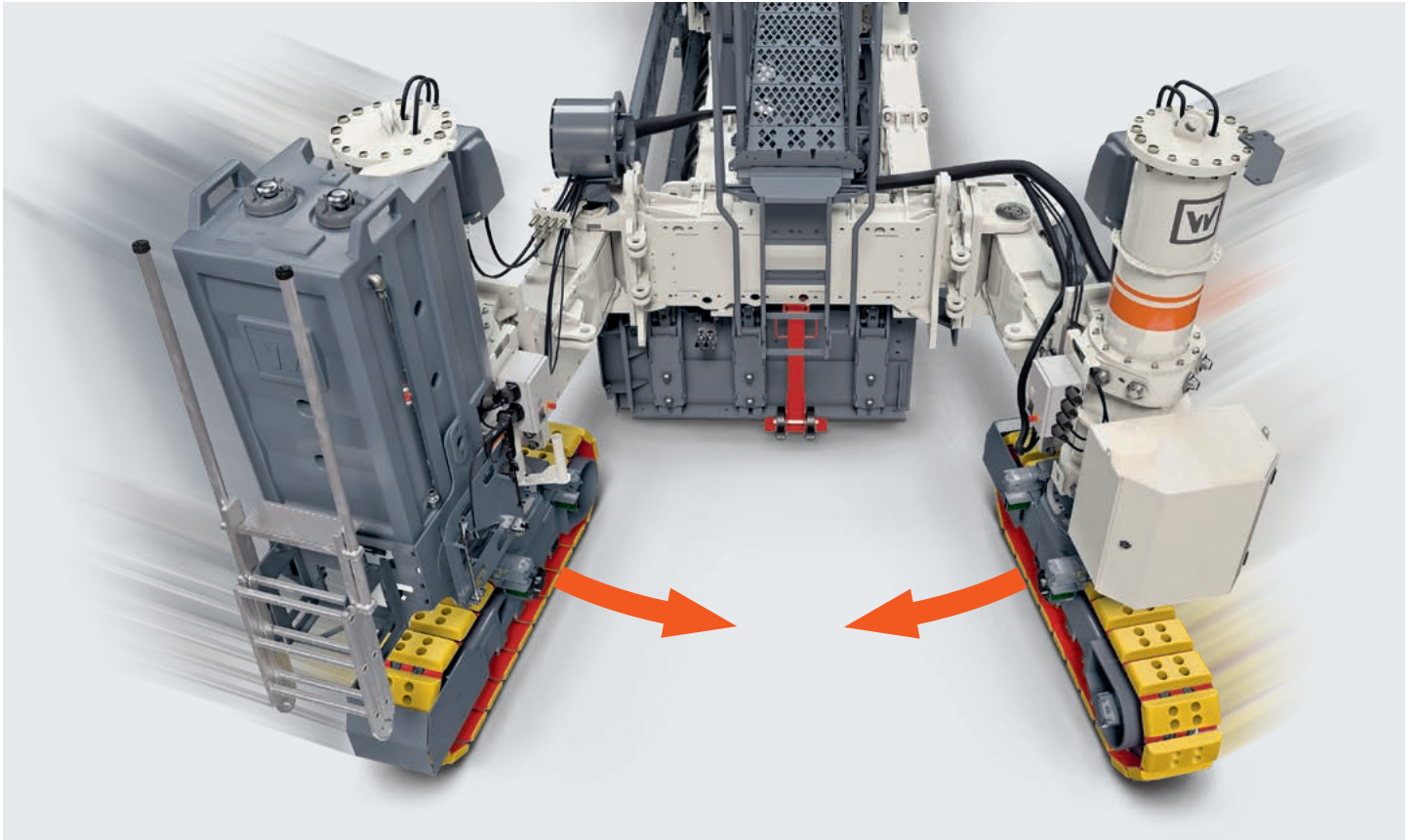
The ability to hydraulically adjust the swivel arms without the need for much force increases ergonomics and user-friendliness.



Worm gear steering with track units rotated by 90°.

Optimized Machine Transportation

Hydraulically adjustable swing legs



Hydraulic swivel arms for easy transport and a high degree of flexibility on the job site.

The cost-effective 4-track slipform paver stands out for its enormous variety of applications in large-scale road and airport construction from 2.0 m to 9.5 m wide and 450 mm thick (cannot be combined with all options). The machine concept makes it possible to produce exceptionally flat surfaces. The fully modular machine design, simple conversion and expansion options, and hydraulic swing arms make the machine highly adaptable to any job site situation.



TECHNICAL SPECIFICATIONS	SP 94	SP 94 i
Area of Application		
Road surface application without crown profile	Paving width: 2.00 to 9.50 m ¹⁾ Paving height: up to 450 mm ¹⁾	
Road surface application with crown profile	Paving width: 3.50 to 9.50 m ¹⁾ Paving height: up to bis 450 mm ¹⁾	
Concrete Spreading		
Spreading auger	One-piece, modularly extendable up to 9.50 m / Two-piece, modularly extendable up to 9.50 m	
Spreader plow	Modularly extendable up to 9.50 m	
Paving Equipment		
Type 910 m paving mold (without wear sole, without crown profile function)	Modularly extendable up to 9.50 m	
Type 910 wm paving mold (with wear sole, with or without crown profile function)	Modularly extendable up to 9.50 m	
Dowel bar inserter (DBI)	Modularly extendable up to 9.50 m	
Oscillating beam	Modularly extendable up to 9.50 m	
Super Smoother	Modularly extendable up to 9.50 m	
Longitudinal tie bar inserter	1 or 2	
Side tie bar inserter	Right and / or left	
Vibrators and Circuits		
Hydraulic vibration	12 connectors (optional: 18 or 24 connectors)	
Electric vibration	12 connectors (optional: 20 or 28 connectors)	
Hydraulically powered vibrators	Curved (D66)	
Electrically powered vibrators	Curved (D76)	
Engine		
Engine manufacturer	Cummins	Cummins
Type	QSC8.3 C-300	QSL9 C-310
Cooling	Water	Water
Number of cylinders	6	6
Rated power at 2,100 rpm	224 kW / 300 HP / 305 PS	231 kW / 310 HP / 314 PS
Displacement	8,300 cm ³	8,900 cm ³
Fuel consumption, full load ² / ₃ load	61.8 l/h 41.2 l/h	62.5 l/h 41.7 l/h
Sound power level in accordance with DIN EN 500-2 engine operator's platform	≤ 102 dB(A) ≥ 80 dB(A)	≤ 101 dB(A) ≥ 82 dB(A)
Emissions standard	EU Stage 3a / US EPA Tier 3	EU Stage 5 / US EPA Tier 4f

TECHNICAL SPECIFICATIONS	SP 94	SP 94 i
Electrical System		
Power supply	24 V DC	
Electric vibration	110 V AC 3~ / 200 Hz	
Tank Capacities		
Fuel	500 l	500 l
AdBlue® / DEF ²⁾	-	57 l
Hydraulic fluid tank, electrical vibration	250 l	250 l
Hydraulic fluid tank, electric vibration	380 l	380 l
Water	550 l + 550 l	550 l + 550 l
Driving Performance		
Advance speed while paving	0 to 7 m/min	
Speed in driving gear	0 to 22 m/min	
Crawler Units		
Number	4	
Type B4: Dimensions (L x W x H)	2,090 x 350 x 726 mm	
Height Adjustment		
Hydraulic	1,000 mm	
Mechanical	2,090 x 350 x 726 mm	
Crown Profile		
Variable adjustment range	At paving widths of 3.50 to 8,00 m: max. 3 % ³⁾ At paving widths of 8.00 to 9,50 m: max. 2 % ³⁾	
Transport Dimensions (L x W x H)		
Paving width 3.50 m: Machine including type 910 m / type 910 wm paving mold, with spreader plow, oscillating beam, super smoother	9,200 x 3,000 x 3,100 mm	
Paving width 9.50 m: Machine including type 910 m / type 910 wm paving mold, with spreader plow, oscillating beam, super smoother	15,200 x 3,000 x 3,100 mm	
Weight Specifications		
Operating weight CE ⁴⁾	30,500 - 75,000 kg	

¹⁾ = Special paving widths, paving heights, and options available on request

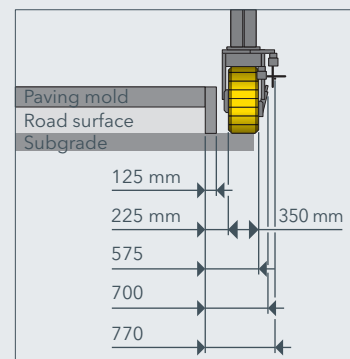
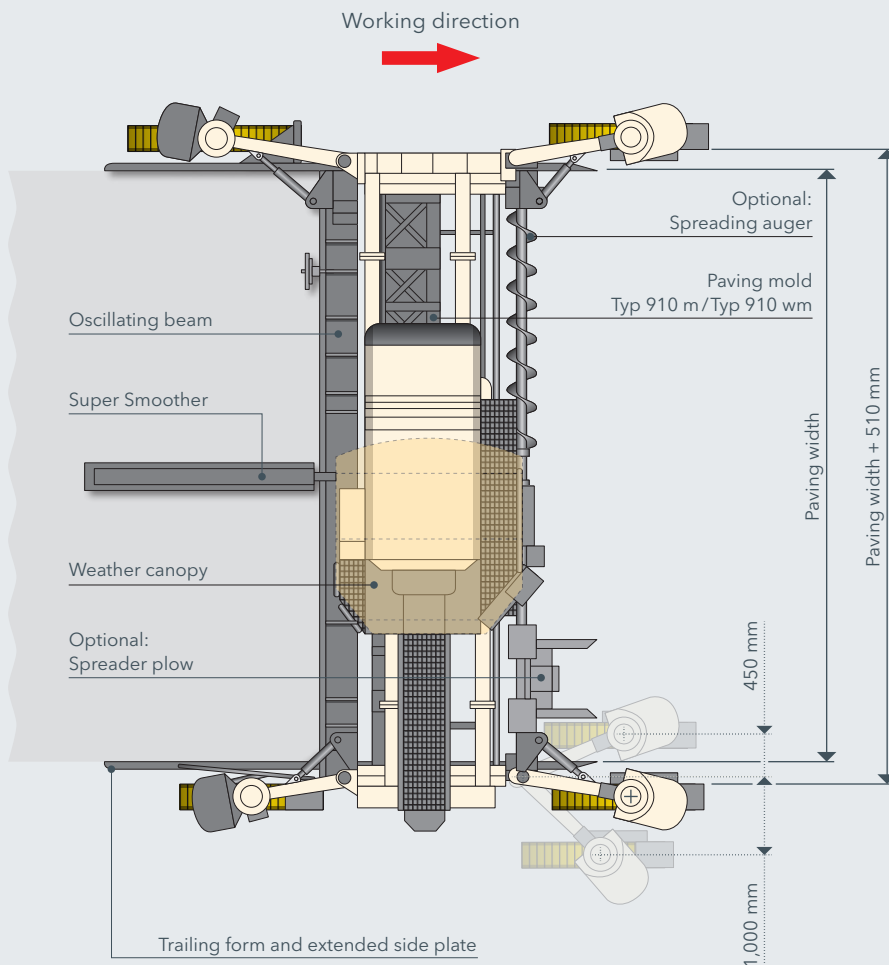
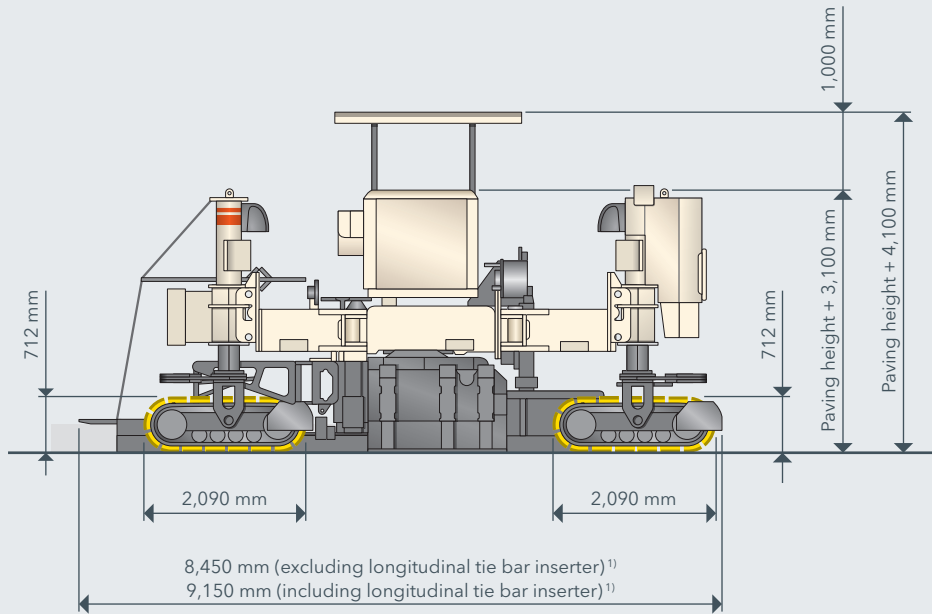
²⁾ = AdBlue® is a registered trademark of the German Association of the Automotive Industry (VDA)

³⁾ = Values within standard transport height; special dimensions on request

⁴⁾ = Weight of machine, half weight of all consumables, machine operator (75 kg), on-board tool kit, no optional equipment; weights depend on the actual equipment installed and the working width

SIDE VIEW / TOP VIEW SLIPFORM PAVER SP 94(i)

Paving situation: SP 94(i) slipform pavers equipped with spreading auger or spreading plow, type 910 m / type 910 wm paving mold, oscillating beam and super smoother

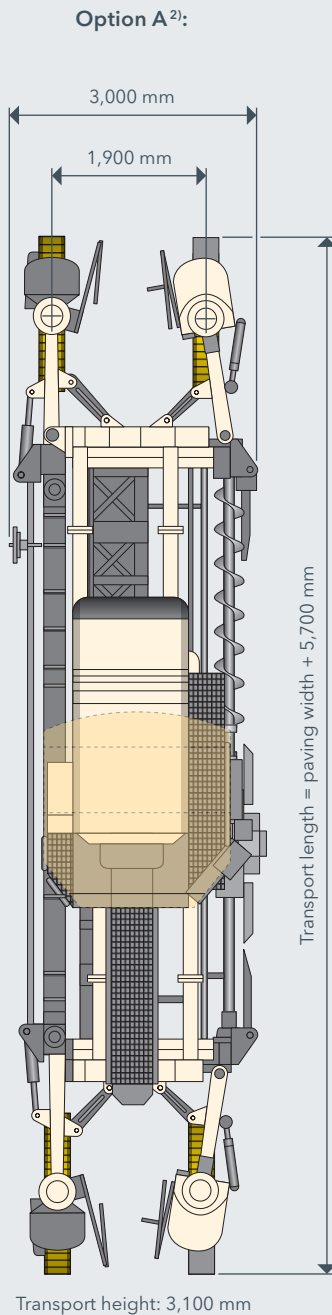


Minimum space required for B4 track units at paving width ≥ 2.50 m (excluding side tie bar inserter)

¹⁾ = Longitudinal tie bar inserter (slewing) and side tie bar inserter not pictured

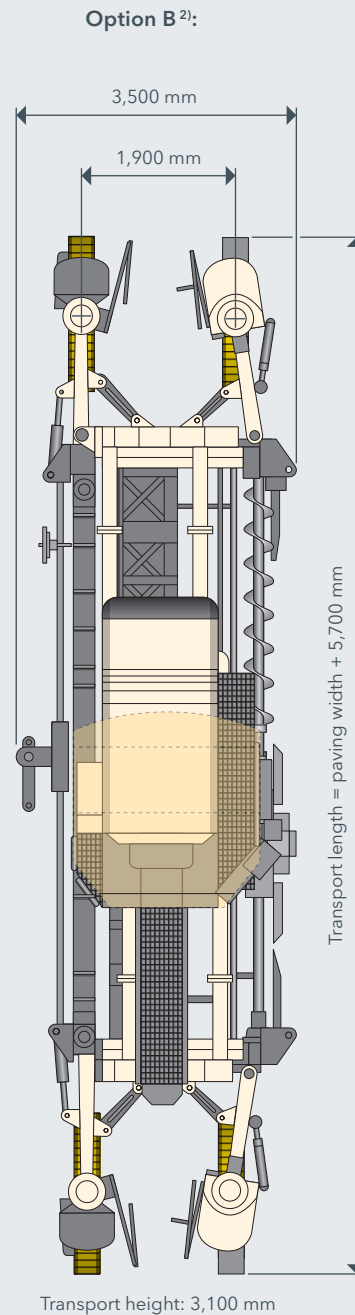
TOP VIEW SLIPFORM PAVER SP 94(i)

Transport situation: SP 94(i) slipform pavers equipped with spreading auger or spreading plow, type 910 m / type 910 wm paving mold, oscillating beam and super smoother



Must be removed prior to transport³⁾:

- Trailing form and extended side plate
- Super smoother trolley
- Hydraulic front swivel arm front connection



Must be removed prior to transport³⁾:

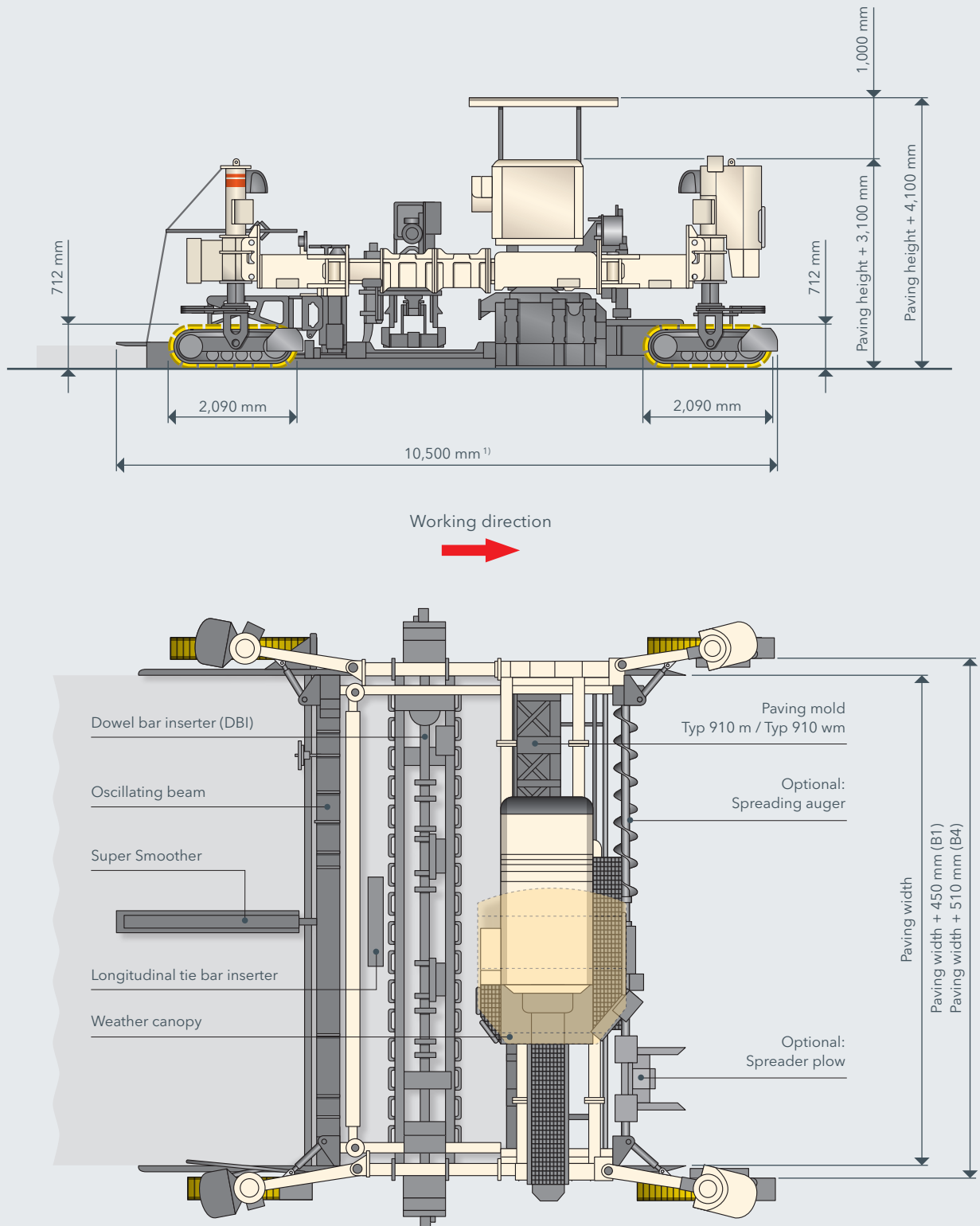
- Super smoother screed plate
- Trailing form and extended side plate

²⁾ = Longitudinal tie bar inserter not included

³⁾ = Other components may need to be removed depending on configuration

SIDE VIEW / TOP VIEW SLIPFORM PAVER SP 94(i)

Paving situation: SP 94(i) slipform pavers equipped with spreading auger or spreading plow, type 910 m / type 910 wm paving mold, dowel bar inserter (DBI), oscillating beam and super smoother

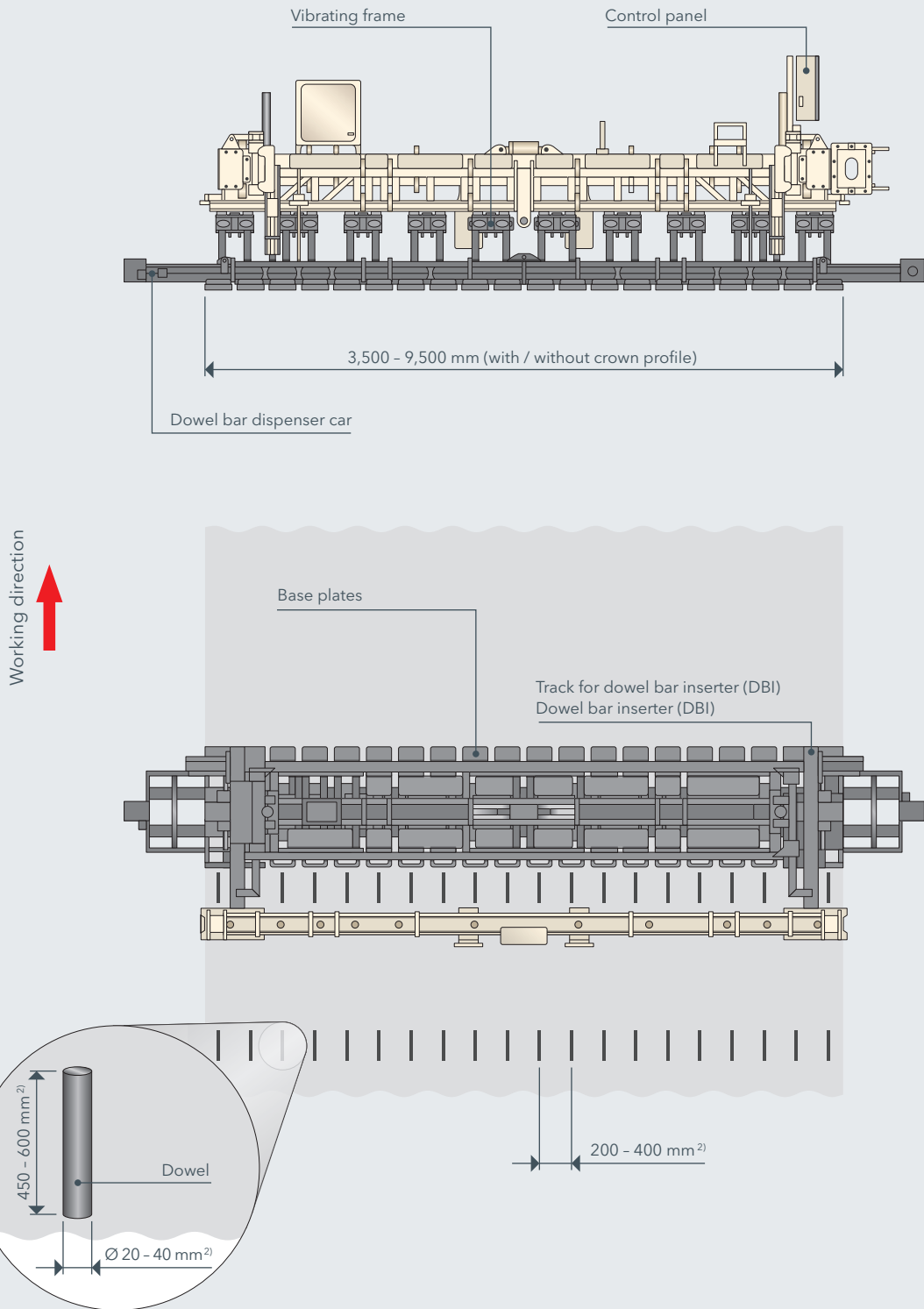


Side tie bar inserter not shown in illustration

¹⁾ = Applies to stand longitudinal tie bar inserter (non-slewing)

SIDE VIEW / TOP VIEW SLIPFORM PAVER SP 94(i)

Dowel Bar Inserter (DBI) (optional)

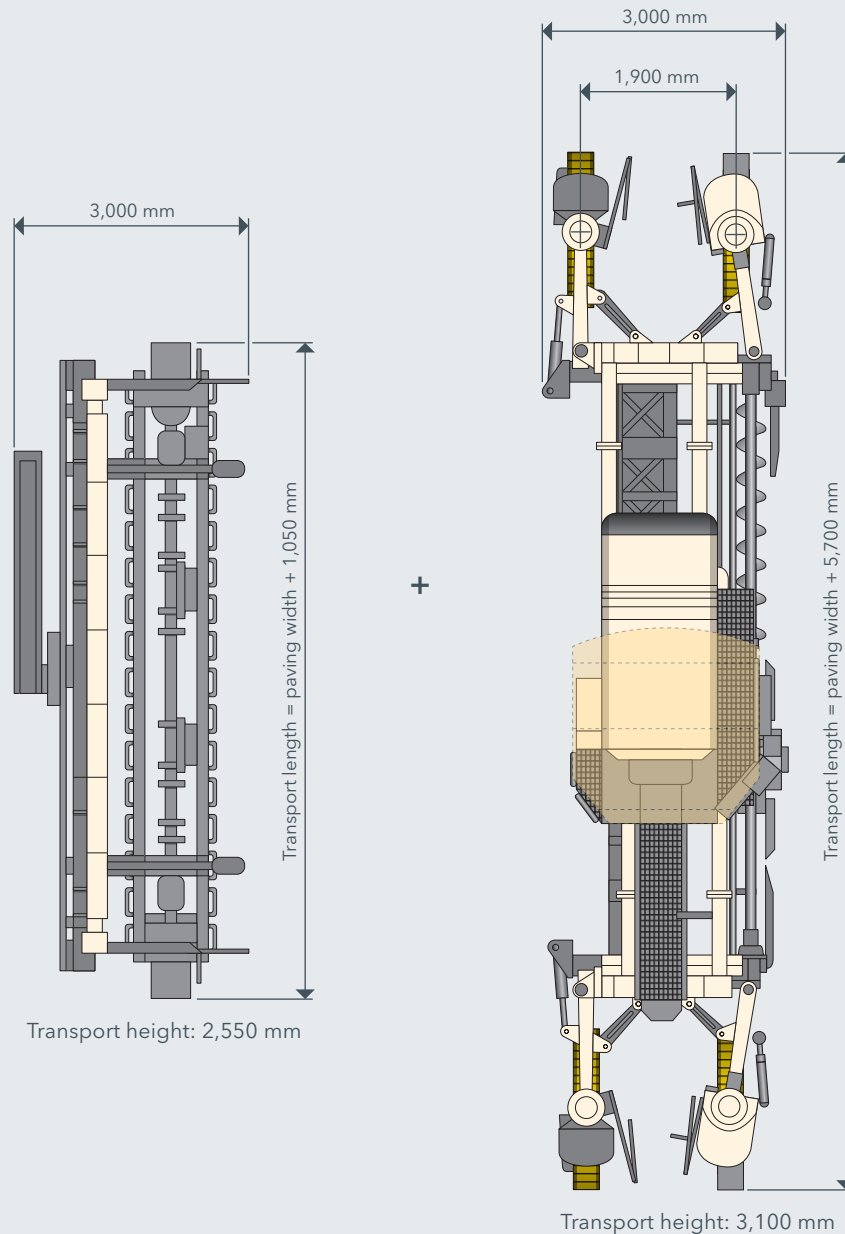


²⁾ = Applicable to the range of dowel bar sizes listed, other sizes available on request, dowel bar inserter configured according to pre-selected customer requirements

TOP VIEW SLIPFORM PAVER SP 94(i)

Transport situation: SP 94(i) slipform pavers equipped with spreading auger or spreading plow, type 910 m / type 910 w m paving mold, dowel bar inserter (DBI), oscillating beam and super smoother

Option A¹⁾:



Transport unit comprising²⁾:

- Dowel bar inserter (DBI)
- Oscillating beam
- Super smoother

Transport unit comprising²⁾:

- Machine tractor
- Paving mold
- Concrete spreading unit

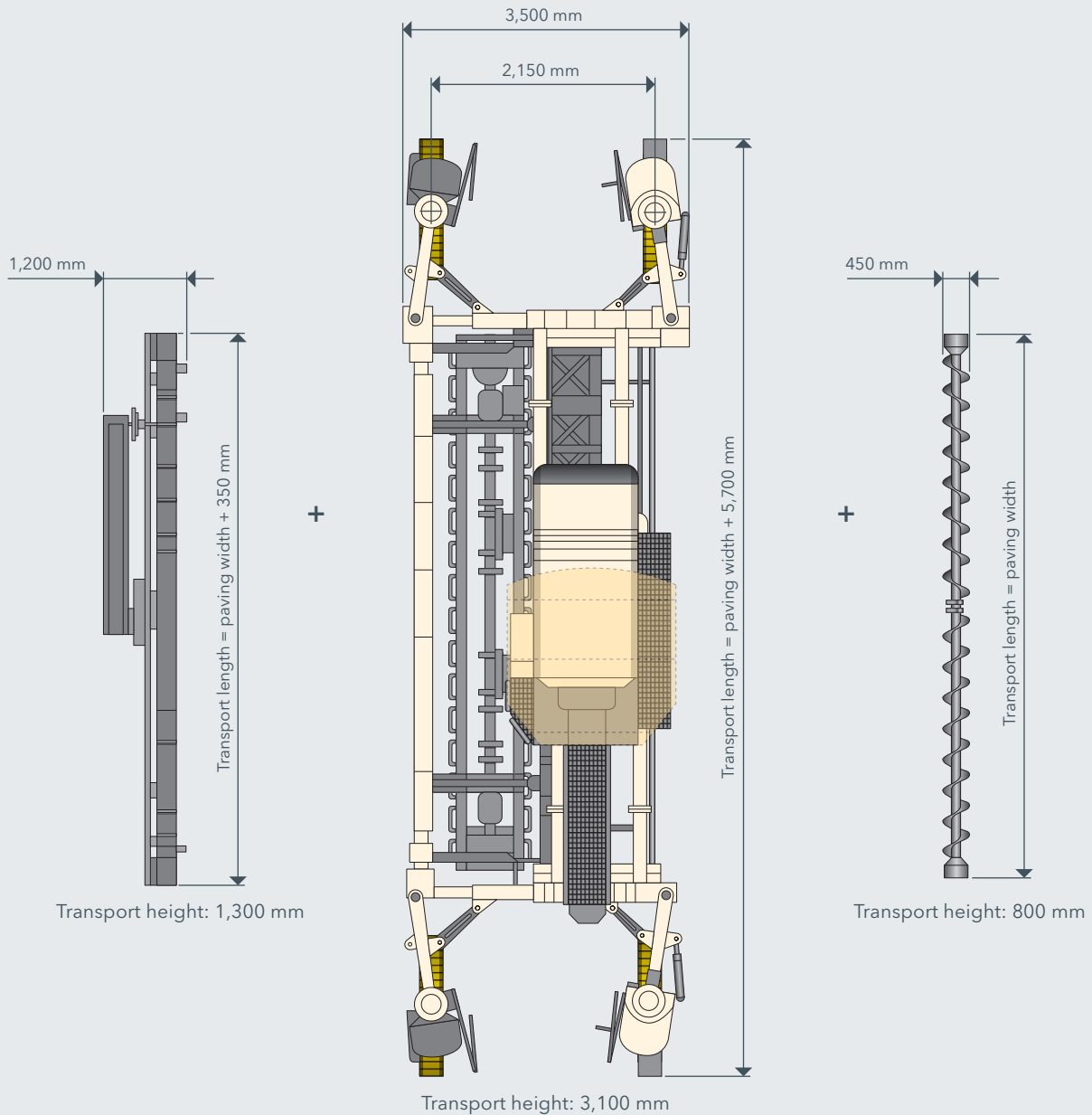
¹⁾ = Longitudinal tie bar inserter not included (additional transport unit)

²⁾ = Other components may need to be removed depending on configuration

TOP VIEW SLIPFORM PAVER SP 94(i)

Transport situation: SP 94(i) slipform pavers equipped with spreading auger or spreading plow, type 910 m / type 910 wm paving mold, dowel bar inserter (DBI) (3,500 mm), oscillating beam and super smoother

Option B ¹⁾:



Transport unit comprising:

- Oscillating beam
- Super smoother

Transport unit comprising ²⁾:

- Machine tractor
- Paving mold
- Dowel bar inserter (DBI)

Transport unit comprising:

- Concrete spreading unit

¹⁾ = Longitudinal tie bar inserter not included (additional transport unit)

²⁾ = Other components may need to be removed depending on configuration

STANDARD EQUIPMENT	SP 94	SP 94 i
Basic Machine		
> Fuel tank 500 l	■	■
> Electrical system (24 V)	■	■
> Cooling system with temperature-controlled fan speed	■	■
> Hydraulic system including an generously dimensioned hydraulic oil tank and a pump transfer gearbox with four output shafts and the pumps required for the machine's basic equipment package	■	■
Main Frame and Height Adjustment		
> Heavy-duty steel frame telescoping in increments on both sides by a total of 2.75 m. Can be optionally extended by fixed extension pieces.	■	■
> The machine frame is pre-fitted with multiple mounting points for the modular addition of a variety of equipment features	■	■
> Concrete equipment ranging from 2.00 m to 6.25 m in width can be connected to the machine frame; optional extension to working widths of up to 9.50 m	■	■
> Frame sections for mechanical telescoping in increments to working widths of up to 6.25 m	□	□
Crawler Units and Chassis Linkage		
> Four height-adjustable B4 track units, 350 mm wide, including cylinder drives	□	□
Machine Control, Leveling and Steering		
> WI-CONTROL - high-quality control system ensuring perfect interaction between all machine features	■	■
> Error messages are displayed on the machine's control screen	■	■
> The existing CAN-bus system can be expanded to customer specifications	■	■
> ECO mode: performance-optimized engine management system for reduced diesel consumption and low noise emissions	■	■
> Proportional electrohydraulic leveling and steering by means of a PLC system including four leveling sensors and two steering sensors	■	■
> Sensor mounting brackets, adjustable in height and range	■	■
> Four hydraulic leveling cylinders with a stroke of 1.00 m	■	■
Vibration		
> Hydraulic vibrator drive for max. 12 vibrators	□	□
> 10 curved vibrators D66, hydraulically driven	□	□
Concrete Equipment for Slab Paving		
> Paving mold 910 m, basic width 3.50 m (min. 2.00 m), without crown, with trailing side header and trailing side header extension 260 mm, including crosslink	□	□
> One-piece side header for paving molds series 910	□	□

STANDARD EQUIPMENT	SP 94	SP 94 i
Operator's Platform		
> Ergonomically designed operator's platform providing a perfect view of the paving process	■	■
> Three control panels with clear, language-independent labeling for ergonomic operation	■	■
> Control panel 1 for machine setup according to site requirements	■	■
> Control panel 2 with multifunctional control screen providing the operator with all relevant machine parameters and allowing settings to be made via a menu	■	■
> The control panel can be adjusted to all directions of travel and paving configurations	■	■
> Control panel 3 for controlling the concrete equipment	■	■
> Two control panels can be stored in the engine compartment; the third control panel can be protected against vandalism and weather by means of a lockable cover	■	■
> Automatic recognition of each machine configuration provides easy orientation for the machine operator	■	■
Miscellaneous		
> Paving Plus package: pivot angle display, speed indicator and fully digital Ackermann steering	■	■
> Large tool kit in lockable tool box	■	■
> Comprehensive safety package with EMERGENCY STOP switches	■	■
> Filling of the machine's hydraulic system with mineral hydraulic oil	■	■
> Pre-fitting for installing the WITOS FleetView control unit	■	■
> Standard painting in RAL 9001 (cream)	□	□
> WITOS - professional telematics solution for machine operation and service optimization	□	□
> Lighting system including 4 halogen working lights, 24 V	□	□

■ = Standard equipment

□ = Standard equipment, can be replaced with optional equipment if desired

□ = Optional equipment

OPTIONAL EQUIPMENT	SP 94	SP 94 i
Main Frame and Height Adjustment		
> Frame sections for mechanical telescoping in increments to working widths of up to 8.00 m	<input type="checkbox"/>	<input type="checkbox"/>
> Frame sections for mechanical telescoping in increments to working widths of up to 9.50 m	<input type="checkbox"/>	<input type="checkbox"/>
> Frame sections for continuous hydraulic telescoping to working widths of up to 6.25 m, including extension elements	<input type="checkbox"/>	<input type="checkbox"/>
> Frame sections for continuous hydraulic telescoping to working widths of up to 8.00 m	<input type="checkbox"/>	<input type="checkbox"/>
> Frame sections for continuous hydraulic telescoping to working widths of up to 9.50 m	<input type="checkbox"/>	<input type="checkbox"/>
Crawler Units and Chassis Linkage		
> Four height-adjustable B4 track units, 350 mm wide, including hydraulic rotational drives	<input type="checkbox"/>	<input type="checkbox"/>
Machine Control, Leveling and Steering		
> Self-leveling feature for transport mode	<input type="checkbox"/>	<input type="checkbox"/>
> Cross-slope sensor for machine	<input type="checkbox"/>	<input type="checkbox"/>
> Automatic crown adjustment	<input type="checkbox"/>	<input type="checkbox"/>
> Two slab tracers	<input type="checkbox"/>	<input type="checkbox"/>
> Four slab tracers	<input type="checkbox"/>	<input type="checkbox"/>
> Control unit for manual track unit steering	<input type="checkbox"/>	<input type="checkbox"/>
> Preliminary equipment for 3D leveling with Leica Topcon or Trimble	<input type="checkbox"/>	<input type="checkbox"/>
> Additional slope sensors for 3D leveling	<input type="checkbox"/>	<input type="checkbox"/>
Concrete Spreading Equipment for Slab Paving		
> Spreading auger without crown - basic width 3.50 m (reversible to 2.00 m)	<input type="checkbox"/>	<input type="checkbox"/>
> Split spreading auger with/without crown - basic width 3.50 m	<input type="checkbox"/>	<input type="checkbox"/>
> Spreading plough - basic width 3.50 m / 12 ft	<input type="checkbox"/>	<input type="checkbox"/>
> Spreading auger - extension element 0.25 m, right-hand pitch	<input type="checkbox"/>	<input type="checkbox"/>
> Spreading auger - extension element 0.50 m, right-hand pitch	<input type="checkbox"/>	<input type="checkbox"/>
> Spreading auger - extension element 0.60 m, right-hand pitch	<input type="checkbox"/>	<input type="checkbox"/>
> Spreading auger - extension element 0.75 m, right-hand pitch	<input type="checkbox"/>	<input type="checkbox"/>
> Spreading auger - extension element 1.00 m, right-hand pitch	<input type="checkbox"/>	<input type="checkbox"/>
> Spreading auger - extension element 2.00 m, right-hand pitch	<input type="checkbox"/>	<input type="checkbox"/>
> Spreading auger - extension element 0.25 m, left-hand pitch	<input type="checkbox"/>	<input type="checkbox"/>
> Spreading auger - extension element 0.50 m, left-hand pitch	<input type="checkbox"/>	<input type="checkbox"/>
> Spreading auger - extension element 0.60 m, left-hand pitch	<input type="checkbox"/>	<input type="checkbox"/>
> Spreading auger - extension element 0.75 m, left-hand pitch	<input type="checkbox"/>	<input type="checkbox"/>
> Spreading auger - extension element 1.00 m, left-hand pitch	<input type="checkbox"/>	<input type="checkbox"/>
> Spreading plough - extension element 0.25 m	<input type="checkbox"/>	<input type="checkbox"/>
> Spreading plough - extension element 0.50 m	<input type="checkbox"/>	<input type="checkbox"/>
> Spreading plough - extension element 0.60 m	<input type="checkbox"/>	<input type="checkbox"/>
> Spreading plough - extension element 0.75 m	<input type="checkbox"/>	<input type="checkbox"/>
> Spreading plough - extension element 1.00 m	<input type="checkbox"/>	<input type="checkbox"/>
Vibration		
> Hydraulic vibrator drive for max. 18 vibrators	<input type="checkbox"/>	<input type="checkbox"/>
> Hydraulic vibrator drive for max. 24 vibrators	<input type="checkbox"/>	<input type="checkbox"/>
> Electric vibrator drive with 60-kVA generator for max. 12 vibrators	<input type="checkbox"/>	<input type="checkbox"/>
> Electric vibrator drive with 60-kVA generator for max. 20 vibrators	<input type="checkbox"/>	<input type="checkbox"/>
> Electric vibrator drive with 60-kVA generator for max. 28 vibrators	<input type="checkbox"/>	<input type="checkbox"/>
> 10 curved vibrators D76, electrically driven	<input type="checkbox"/>	<input type="checkbox"/>
> Curved vibrator D66, hydraulically driven	<input type="checkbox"/>	<input type="checkbox"/>
> Curved vibrator D76, electrically driven	<input type="checkbox"/>	<input type="checkbox"/>

OPTIONAL EQUIPMENT	SP 94	SP 94 i
Concrete Equipment for Slab Paving		
> Metering gate for paving mold without crown - basic width 3.50 m (reversible to 2.00 m)	<input type="checkbox"/>	<input type="checkbox"/>
> Split metering gate for paving mold with / without crown - basic width 3.50 m	<input type="checkbox"/>	<input type="checkbox"/>
> Automatic metering gate control for concrete paving mold	<input type="checkbox"/>	<input type="checkbox"/>
> Metering gate - extension element 0.25 m	<input type="checkbox"/>	<input type="checkbox"/>
> Metering gate - extension element 0.50 m	<input type="checkbox"/>	<input type="checkbox"/>
> Metering gate - extension element 0.60 m	<input type="checkbox"/>	<input type="checkbox"/>
> Metering gate - extension element 0.75 m	<input type="checkbox"/>	<input type="checkbox"/>
> Metering gate - extension element 1.00 m	<input type="checkbox"/>	<input type="checkbox"/>
> Metering gate - extension element 2.00 m	<input type="checkbox"/>	<input type="checkbox"/>
> Paving mold 910 wm, basic width 3.50 m (min. 2.00 m), without crown, with trailing side header and trailing side header extension 260 mm, including crosslink	<input type="checkbox"/>	<input type="checkbox"/>
> Paving mold 910 wm, basic width 3.50 m (min. 2.00 m), with / without crown, with trailing side header and trailing side header extension 260 mm, including crosslink	<input type="checkbox"/>	<input type="checkbox"/>
> Two-piece sideplate for paving mold series 910 for the production of construction joints; valve position on paving mold	<input type="checkbox"/>	<input type="checkbox"/>
> Paving mold series 910 m - extension element 0.25 m	<input type="checkbox"/>	<input type="checkbox"/>
> Paving mold series 910 m - extension element 0.50 m	<input type="checkbox"/>	<input type="checkbox"/>
> Paving mold series 910 m - extension element 0.60 m	<input type="checkbox"/>	<input type="checkbox"/>
> Paving mold series 910 m - extension element 0.75 m	<input type="checkbox"/>	<input type="checkbox"/>
> Paving mold series 910 m - extension element 1.00 m	<input type="checkbox"/>	<input type="checkbox"/>
> Paving mold series 910 m - extension element 2.00 m	<input type="checkbox"/>	<input type="checkbox"/>
> Paving mold series 910 wm - extension element 0.25 m	<input type="checkbox"/>	<input type="checkbox"/>
> Paving mold series 910 wm - extension element 0.50 m	<input type="checkbox"/>	<input type="checkbox"/>
> Paving mold series 910 wm - extension element 0.60 m	<input type="checkbox"/>	<input type="checkbox"/>
> Paving mold series 910 wm - extension element 0.75 m	<input type="checkbox"/>	<input type="checkbox"/>
> Paving mold series 910 wm - extension element 1.00 m	<input type="checkbox"/>	<input type="checkbox"/>
> Paving mold series 910 wm - extension element 2.00 m	<input type="checkbox"/>	<input type="checkbox"/>
> Automatic dowel bar inserter (DBI) for use without crown - basic width 3.50 m	<input type="checkbox"/>	<input type="checkbox"/>
> Automatic dowel bar inserter (DBI) for use with crown - basic width 3.50 m	<input type="checkbox"/>	<input type="checkbox"/>
> Base group for dowel bar inserter (DBI) for paving widths of up to 3.50 m	<input type="checkbox"/>	<input type="checkbox"/>
> Base group for dowel bar inserter (DBI) for paving widths of up to 4.00 m	<input type="checkbox"/>	<input type="checkbox"/>
> Base group for dowel bar inserter (DBI) for paving widths of up to 5.00 m	<input type="checkbox"/>	<input type="checkbox"/>
> Base group for dowel bar inserter (DBI) for paving widths of up to 6.00 m	<input type="checkbox"/>	<input type="checkbox"/>
> Base group for dowel bar inserter (DBI) for paving widths of up to 7.00 m	<input type="checkbox"/>	<input type="checkbox"/>
> Base group for dowel bar inserter (DBI) for paving widths of up to 8.00 m	<input type="checkbox"/>	<input type="checkbox"/>
> Base group for dowel bar inserter (DBI) for paving widths of up to 9.00 m	<input type="checkbox"/>	<input type="checkbox"/>
> Base group for dowel bar inserter (DBI) for paving width up to 9.50 m	<input type="checkbox"/>	<input type="checkbox"/>

■ = Standard equipment

▣ = Standard equipment, can be replaced with optional equipment if desired

□ = Optional equipment

OPTIONAL EQUIPMENT	SP 94	SP 94 i
Concrete Equipment for Slab Paving		
> Dowel bar inserter (DBI) - extension element 0.25 m	<input type="checkbox"/>	<input type="checkbox"/>
> Dowel bar inserter (DBI) - extension element 0.50 m	<input type="checkbox"/>	<input type="checkbox"/>
> Dowel bar inserter (DBI) - extension element 0.60 m	<input type="checkbox"/>	<input type="checkbox"/>
> Dowel bar inserter (DBI) - extension element 0.75 m	<input type="checkbox"/>	<input type="checkbox"/>
> Dowel bar inserter (DBI) - extension element 1.00 m	<input type="checkbox"/>	<input type="checkbox"/>
> Dowel bar inserter (DBI) - extension element 2.00 m	<input type="checkbox"/>	<input type="checkbox"/>
> Load brackets as modification aid for altering the width of the dowel bar inserter (DBI)	<input type="checkbox"/>	<input type="checkbox"/>
> DBI self-loading device including a diesel-powered hydraulic unit	<input type="checkbox"/>	<input type="checkbox"/>
> One longitudinal joint tie bar inserter with path measuring system for tie bars \varnothing 12 - 25 mm, length 40 - 800 mm	<input type="checkbox"/>	<input type="checkbox"/>
> Two longitudinal joint tie bar inserters with path measuring system for tie bars \varnothing 12 - 25 mm, length 400 - 800 mm	<input type="checkbox"/>	<input type="checkbox"/>
> A longitudinal joint tie bar inserter with path measuring system for tie bars \varnothing 12 - 25 mm, length 800 - 1,200 mm	<input type="checkbox"/>	<input type="checkbox"/>
> Two longitudinal joint tie bar inserters with path measuring system for tie bars \varnothing 12 - 25 mm, length 800 - 1,200 mm	<input type="checkbox"/>	<input type="checkbox"/>
> Model with mounting components for mounting one longitudinal joint tie bar inserter to the paving mold	<input type="checkbox"/>	<input type="checkbox"/>
> Model with mounting components for mounting two longitudinal joint tie bar inserters to the paving mold	<input type="checkbox"/>	<input type="checkbox"/>
> Model with mounting components for mounting one longitudinal joint tie bar inserter to the dowel bar inserter	<input type="checkbox"/>	<input type="checkbox"/>
> Model with mounting components for mounting two longitudinal joint tie bar inserters to the dowel bar inserter	<input type="checkbox"/>	<input type="checkbox"/>
> Model with mounting components for mounting one longitudinal joint tie bar inserter either to the paving mold or to the dowel bar inserter	<input type="checkbox"/>	<input type="checkbox"/>
> Model with mounting components for mounting two longitudinal joint tie bar inserters either to the paving mold or to the dowel bar inserter	<input type="checkbox"/>	<input type="checkbox"/>
> Frame extension + electrical control for dowel bar inserter (DBI)	<input type="checkbox"/>	<input type="checkbox"/>
> Frame extension + electrical control system for dowel bar inserter (DBI) and longitudinal joint tie bar inserter	<input type="checkbox"/>	<input type="checkbox"/>
> Oscillating beam without crown - basic width 3.50 m (reversible to 2.00 m)	<input type="checkbox"/>	<input type="checkbox"/>
> Oscillating beam with / without crown - basic width 3.50 m	<input type="checkbox"/>	<input type="checkbox"/>
> Oscillating beam - extension element 0.25 m	<input type="checkbox"/>	<input type="checkbox"/>
> Oscillating beam - extension element 0.50 m	<input type="checkbox"/>	<input type="checkbox"/>
> Oscillating beam - extension element 0.60 m	<input type="checkbox"/>	<input type="checkbox"/>
> Oscillating beam - extension element 0.75 m	<input type="checkbox"/>	<input type="checkbox"/>
> Oscillating beam - extension element 1.00 m	<input type="checkbox"/>	<input type="checkbox"/>
> Oscillating beam - extension element 2.00 m	<input type="checkbox"/>	<input type="checkbox"/>
> Super smoother - basic width 3.50 m (reversible to 2.00 m)	<input type="checkbox"/>	<input type="checkbox"/>
> Super smoother - extension element 0.25 m	<input type="checkbox"/>	<input type="checkbox"/>
> Super smoother - extension element 0.50 m	<input type="checkbox"/>	<input type="checkbox"/>
> Super smoother - extension element 0.60 m	<input type="checkbox"/>	<input type="checkbox"/>
> Super smoother - extension element 0.75 m	<input type="checkbox"/>	<input type="checkbox"/>
> Super smoother - extension element 1.00 m	<input type="checkbox"/>	<input type="checkbox"/>
> Super smoother - extension element 2.00 m	<input type="checkbox"/>	<input type="checkbox"/>
> One side tie bar inserter for straight tie bars, max. \varnothing 20 mm, length 800 mm	<input type="checkbox"/>	<input type="checkbox"/>
> Two side tie bar inserters for straight tie bars, max. \varnothing 20 mm, length 800 mm	<input type="checkbox"/>	<input type="checkbox"/>
> Transport frame for oscillating beam and super smoother as transport unit	<input type="checkbox"/>	<input type="checkbox"/>
> Additional trailing side plates extension as per customer specification	<input type="checkbox"/>	<input type="checkbox"/>

OPTIONAL EQUIPMENT	SP 94	SP 94 i
Operator's Platform		
> Weather canopy for operator's platform, hydraulically telescoping in height	<input type="checkbox"/>	<input type="checkbox"/>
> Weather canopy for operator's platform, hydraulically telescoping in height, with LED lighting	<input type="checkbox"/>	<input type="checkbox"/>
> Extension of walkway allowing the operator to pass from one side of the machine to the other, 9.50 m	<input type="checkbox"/>	<input type="checkbox"/>
Miscellaneous		
> Painting in one special color (RAL)	<input type="checkbox"/>	<input type="checkbox"/>
> Painting in two special colors (RAL)	<input type="checkbox"/>	<input type="checkbox"/>
> Model without WITOS	<input type="checkbox"/>	<input type="checkbox"/>
> High-performance lighting system including 8 LED working lights, 24 V	<input type="checkbox"/>	<input type="checkbox"/>
> Hydraulic high-pressure water cleaning system with 550 l plastic tank	<input type="checkbox"/>	<input type="checkbox"/>
> Two hydraulic high-pressure water cleaning systems with two 550 l plastic tanks	<input type="checkbox"/>	<input type="checkbox"/>
> Additional electrical water pump, 24 V, with 10 m hose and spray gun with handle	<input type="checkbox"/>	<input type="checkbox"/>
> Additional plastic water tank, 550 l	<input type="checkbox"/>	<input type="checkbox"/>
> Rotating beacon, halogen 24 V, with magnetic base	<input type="checkbox"/>	<input type="checkbox"/>
> Two flashing beacons, 24 V, with magnetic base	<input type="checkbox"/>	<input type="checkbox"/>
> Additional control console for track unit adjustment	<input type="checkbox"/>	<input type="checkbox"/>
> Camera system consisting of 1 camera and 1 screen, expandable to up to 6 cameras	<input type="checkbox"/>	<input type="checkbox"/>
> Additional camera as an extension to an existing camera system	<input type="checkbox"/>	<input type="checkbox"/>
> Two LED floodlights including power generator (230 V)	<input type="checkbox"/>	<input type="checkbox"/>
> Two LED floodlights including power generator (110 V)	<input type="checkbox"/>	<input type="checkbox"/>
> High-performance lighting system including 4 LED working lights, 24 V, for illuminating the compaction compartment	<input type="checkbox"/>	<input type="checkbox"/>
> Two LED floodlights 24 V	<input type="checkbox"/>	<input type="checkbox"/>
> 230 volt power generator, hydraulically driven, rated power of 4 kW	<input type="checkbox"/>	<input type="checkbox"/>
> 110 volt power generator, hydraulically driven, rated power of 4 kW	<input type="checkbox"/>	<input type="checkbox"/>
> Crane system for dowel bar packs, driven by means of a chain hoist	<input type="checkbox"/>	—
> One hydraulically driven crane system	<input type="checkbox"/>	<input type="checkbox"/>
> Pre-equipment for crane system	<input type="checkbox"/>	—
> Stringline tensioning system, complete with 1,000 m steel wire rope	<input type="checkbox"/>	<input type="checkbox"/>
> Additional tensioning winch for stringline tensioning system	<input type="checkbox"/>	<input type="checkbox"/>
> Stringline tensioning system, complete with 4 x 300 m nylon rope	<input type="checkbox"/>	<input type="checkbox"/>
> Machine commissioning (day rate)	<input type="checkbox"/>	<input type="checkbox"/>
> Export packaging	<input type="checkbox"/>	<input type="checkbox"/>

■ = Standard equipment

■ = Standard equipment, can be replaced with optional equipment if desired

□ = Optional equipment

**WIRTGEN GmbH**

Reinhard-Wirtgen-Str. 2
53578 Windhagen
Germany

T: +49 2645 131-0
F: +49 2645 131-392
M: info@wirtgen.com

 www.wirtgen.de



For further information, please scan the code.